



**EASY
TOOL-LESS
HEIGHT
ADJUSTMENT**

BT8563

UNIVERSAL FLAT SCREEN TROLLEY WITH ADJUSTABLE HEIGHT

As part of B-Tech's Designer Trolley range, the BT8563 is a high-end mounting solution which adds a touch of aesthetic class to any mobile display requirement. Available in a choice of black, silver and white, with contrasting dual colour accents and a triangular shaped column, the BT8563 has a modern, contemporary look and is universally suitable for mounting screens in both landscape and portrait orientations. The adjustable height feature is quick and easy to use without the need for tools and levelling screws are included for post-installation screen levelling. Integrated cable management keeps finished installations looking neat and tidy whilst non-marking, braked castors make repositioning quick and easy without marking or scuffing floor surfaces.

SPECIFICATION

Recommended screen size	up to 70"
Weight range for BT8563-01	19-33kg
Weight range for BT8563-02	34-62kg
Weight range for BT8563-03	63-70kg
VESA® & non-VESA fixings	up to 600 x 400mm
Trolley dimensions	H:1932* W:1075 D:863mm
Toolless height adjustment range	400mm
Colour options	Black, Black & Silver or White

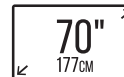
**Measurement from floor to top of vertical column (including end cap)*

FEATURES

- Universal design suitable for displaying screens in a landscape or portrait orientation
- Easy to use tool-less height adjustment
- Available in three options to suit a range of screen weights
- Non-marking locking / braked castors
- Collar compatible accessories such as shelves (available separately) can be fitted directly to the column
- Integrated cable management for a smart installation
- Safety screws help prevent unauthorised removal of screen
- Dual colour options available for a modern, contemporary look
- Simple 'hook-on' screen installation with all mounting hardware included



BT8563-01 BT8563-02 BT8563-03



Easy to use tool-less height adjustment



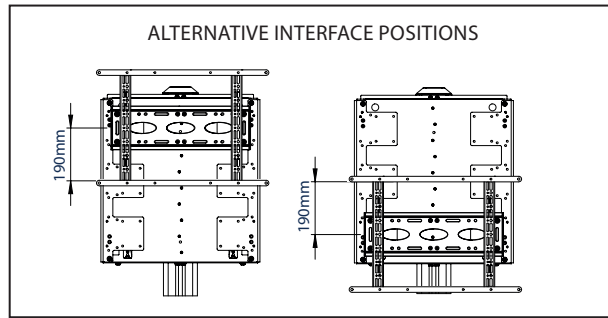
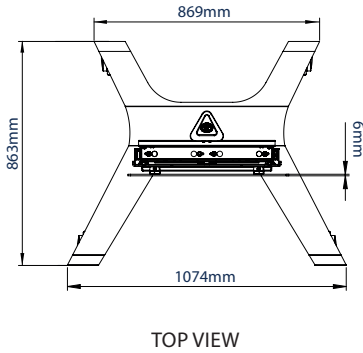
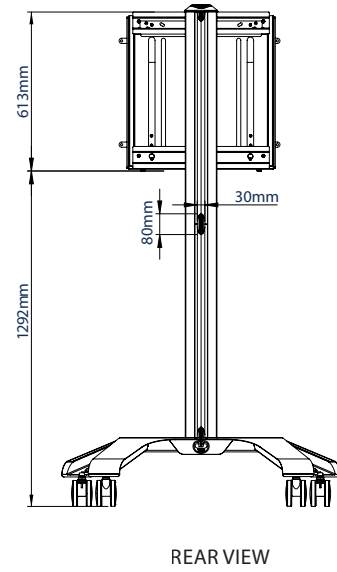
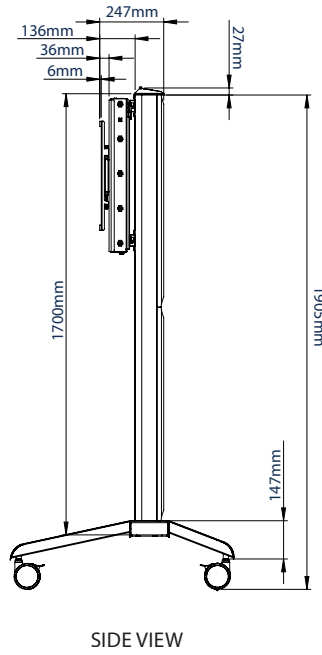
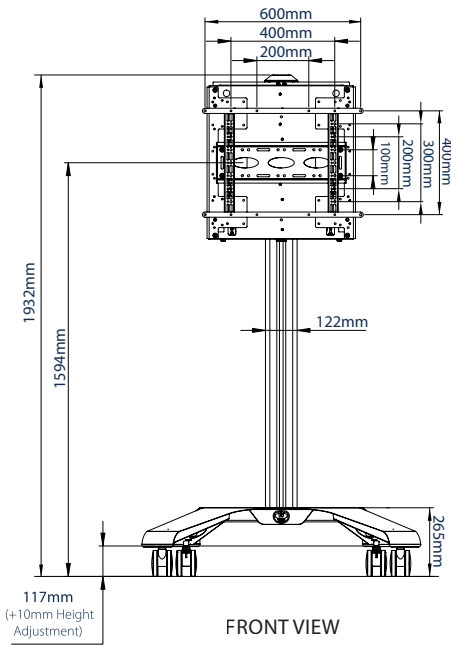
Dual colour options available for a modern contemporary look



Non-marking locking / braked castors included



AV accessory shelves can be fitted directly to the columns



PACKING INFORMATION

PLEASE NOTE, THIS IS A 4 BOX ITEM

COLOUR:	ORDER REF:	EAN CODE:	MASTER CARTON WEIGHT:	MASTER CARTON CUBE:
Black	BT8563-01/BB	5019318301940	30kg / 9kg / 12kg / 24kg	0.278cbm / 0.046cbm / 0.027cbm / 0.035cbm
Black & Silver	BT8563-01/BS	5019318301957	30kg / 9kg / 12kg / 24kg	0.278cbm / 0.046cbm / 0.027cbm / 0.035cbm
White	BT8563-01/WW	5019318301964	30kg / 9kg / 12kg / 24kg	0.278cbm / 0.046cbm / 0.027cbm / 0.035cbm
Black	BT8563-02/BB	5019318301971	30kg / 9kg / 12kg / 24kg	0.278cbm / 0.046cbm / 0.027cbm / 0.035cbm
Black & Silver	BT8563-02/BS	5019318301988	30kg / 9kg / 12kg / 24kg	0.278cbm / 0.046cbm / 0.027cbm / 0.035cbm
White	BT8563-02/WW	5019318301995	30kg / 9kg / 12kg / 24kg	0.278cbm / 0.046cbm / 0.027cbm / 0.035cbm
Black	BT8563-02/BB	5019318301971	30kg / 9kg / 12kg / 24kg	0.278cbm / 0.046cbm / 0.027cbm / 0.035cbm
Black & Silver	BT8563-03/BS	5019318302015	30kg / 9kg / 12kg / 24kg	0.278cbm / 0.046cbm / 0.027cbm / 0.035cbm
White	BT8563-03/WW	5019318302022	30kg / 9kg / 12kg / 24kg	0.278cbm / 0.046cbm / 0.027cbm / 0.035cbm

ACCESSORIES AND RELATED PRODUCTS



AV Accessory Shelves can be fitted directly to the vertical column



Video Conferencing Camera Shelf can be fitted directly to the vertical column



Universal Extra Large Flat Screen Trolley with Adjustable Height



Flat Screen Trolley with Height Adjustment and Flip Rotation

© 2019 B-Tech Professional Design & Manufacturing Ltd. All rights reserved. We warrant the information on this website to be accurate as of the date of publication. We do not warrant the accuracy of the information on this website for any other purpose. B-Tech Professional Design & Manufacturing Ltd. is not responsible for any damage or loss of data caused by the use of the information on this website. B-Tech Professional Design & Manufacturing Ltd. is not responsible for any damage or loss of data caused by the use of the information on this website. B-Tech Professional Design & Manufacturing Ltd. is not responsible for any damage or loss of data caused by the use of the information on this website.