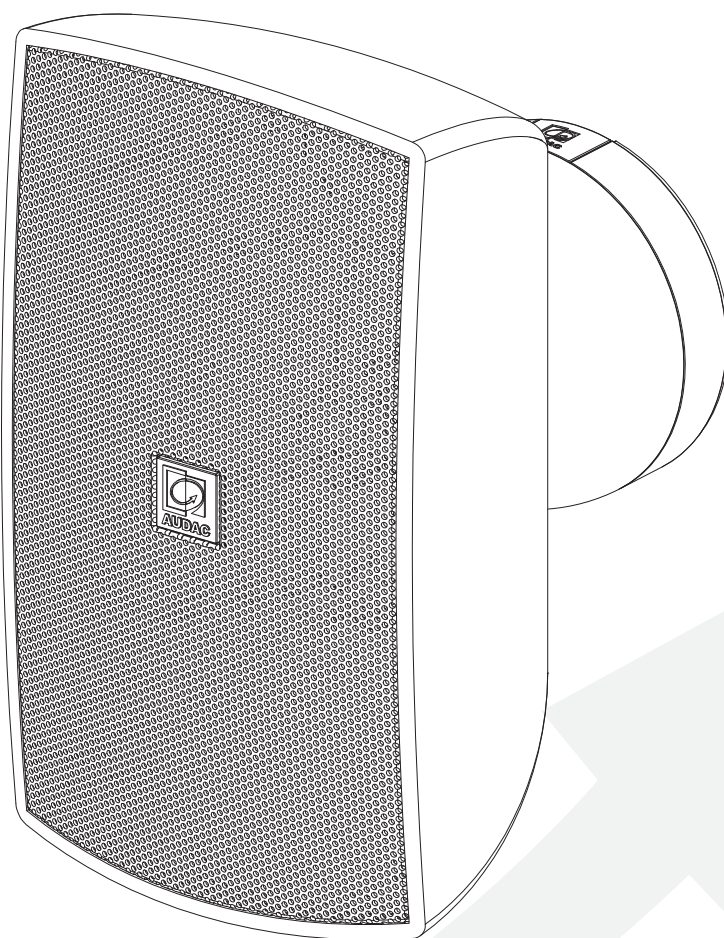


ATEOxM



ADDITIONAL INFORMATION

This manual is put together with much care, and is as complete as could be on the publication date. However, updates on the specifications, functionality or software may have occurred since publication. To obtain the latest version of both manual and software, please visit the Audac website @ www.audac.eu.



Introduction	04
Bright sound, effortless installation	04
Precautions	05
Chapter 1	06
CleverMount+™	06
Chapter 2	07
Installing ATEOxM	07
Chapter 3	010
Positioning ATEOxM	010
Technical specifications	011

Bright sound, effortless installation

The ATEOxM series are extraordinary loudspeakers especially designed for fixed installation in- & outdoor applications, ranging from modern residential applications to the most demanding designer applications in environments such as retail stores, pubs, restaurants or even clubs.

The ATEOxM ensures a true-to-nature, high-fidelity reproduction of music and speech, whilst maintaining an ultra-flat frequency response. It features a stunningly designed and elegant-looking weatherproof ABS housing which is fitted with high-quality components. What makes this loudspeaker range so exceptional is the specially designed mounting bracket using the weatherproof CleverMount+™ technology, making the loudspeaker cabinet flow together with the mounting bracket providing great ease for installing the loudspeaker in one good-looking entity. This design loudspeaker forms the ideal solution for fixed-install indoor and outdoor applications.

With the improved CleverMount+™ innovation, mounting and connection of the loudspeaker happens in seconds after attaching the wall plate to the desired location. During installation, the wires can easily be connected to the integrated WAGO connectors. For ease of installation & modification, the ATEOxM loudspeakers come with an external power tap selection switch located on the rear of the speaker. Like this, it's really child's play to install a large number of loudspeakers in no time.

All ATEOxM series speakers are available in black (/B) or white (/W).

READ FOLLOWING INSTRUCTIONS FOR YOUR OWN SAFETY

ALWAYS KEEP THESE INSTRUCTIONS. NEVER THROW THEM AWAY

ALWAYS HANDLE THIS UNIT WITH CARE

HEED ALL WARNINGS

FOLLOW ALL INSTRUCTIONS

NO NAKED FLAME SOURCES, SUCH AS LIGHTED CANDLES, SHOULD BE PLACED ON THE APPARATUS

DO NOT STICK ANY OBJECTS THROUGH THE VENTILATION OPENINGS.

DO NOT INSTALL THIS UNIT NEAR ANY HEAT SOURCES SUCH AS RADIATORS OR OTHER APPARATUS THAT PRODUCE HEAT

PLACE THE UNIT ON A STABLE BASE OR MOUNT IT IN A STABLE RACK

ONLY USE ATTACHMENTS & ACCESSORIES SPECIFIED BY THE MANUFACTURER

UNPLUG THIS APPARATUS DURING LIGHTNING STORMS OR WHEN UNUSED FOR LONG PERIODS OF TIME

USE THE APPARATUS ONLY IN MODERATE CLIMATES



CAUTION - SERVICING

This product contains no user serviceable parts. Refer all servicing to qualified service personnel. Do not perform any servicing (unless you are qualified to)



EC DECLARATION OF CONFORMITY

This product conforms to all the essential requirements and further relevant specifications described in following directives: 2014/30/EU (EMC) & 2014/35/EU (LVD).



WASTE ELECTRICAL AND ELECTRONIC EQUIPMENT (WEEE)

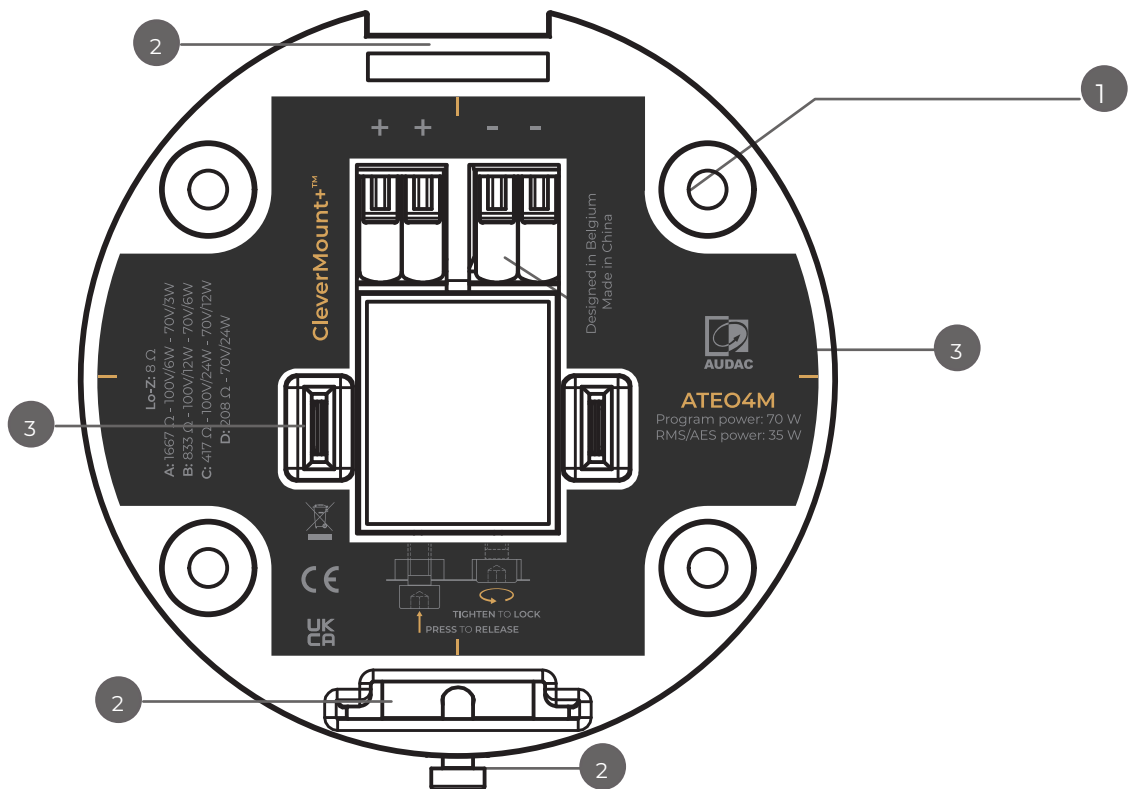
The WEEE marking indicates that this product should not be disposed with regular household waste at the end of its life cycle. This regulation is created to prevent any possible harm to the environment or human health.

This product is developed and manufactured with high quality materials and components which can be recycled and/or reused. Please dispose this product at your local collection point or recycling centre for electrical and electronic waste. This will make sure that it will be recycled in an environmentally friendly manner, and will help to protect the environment in which we all live.

CleverMount+™

Thanks to the patented CleverMount+™ mounting technology these loudspeakers have the advantage of making the speaker cabinet flow together with the mounting bracket providing a great ease for installing the loudspeaker in one good-looking entity. A safe installation of the loudspeaker is acquired thanks to the separate bracket base.

Mounting brackets come with official WAGO connectors for the perfect high-quality and reliable electrical installation. Great installer convenience is provided with the WAGO spring cage terminals, no additional tools needed.



1) Wall mounting holes

The wall mount has to be fixed by four screws in a quadrangular shape. The used fasteners should be chosen depending to the mounting surface (brick, concrete, wood, ...)

2) Speaker attachment points and spring-loaded locking

ATEOxM has a hook and a latch connection on it and those connection should be placed to attachment points on CleverMount+™ mounting system. When the mounting is done correctly, a clicking sound will be heard. There is also a spring-loaded locking mechanism to lock the attached speaker or to release it from the wall mount.

3) WAGO connectors and contact blades

CleverMount+™ mounting technology has two pieces of WAGO terminal connectors on it for connection and daisy chaining. One terminal port on each connector is connected to a contact blade for speaker and mounting system mating. Polarity of each terminal is indicated on CleverMount+™ mounting system.

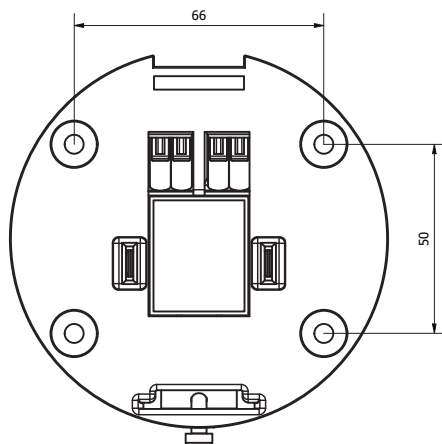
Installing ATEOxM

With the improved CleverMount+™ innovation, mounting and connection of the loudspeaker happens in seconds after attaching the wall plate to the desired location. During installation, the wires can easily be connected to the integrated WAGO connectors. For ease of installation & power configuration, the ATEOxM loudspeakers come with an external power tap selection rotary switch located on the rear of the speaker. Makes it easy to install a large number of loudspeakers in no time.

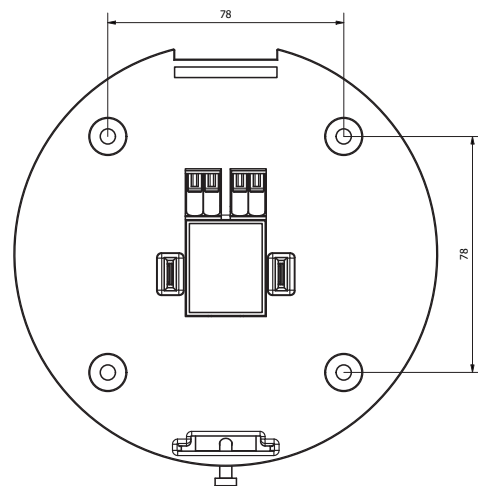
1) Install CleverMount+™ mounting system

The first step is mounting the supplied wall mount to the desired location on the wall. The wall mount has to be fixed by four screws in a quadrangular shape. Distance between mounting holes are shown below. The used fasteners should be chosen depending to the mounting surface (brick, concrete, wood, ...)

ATEO4M

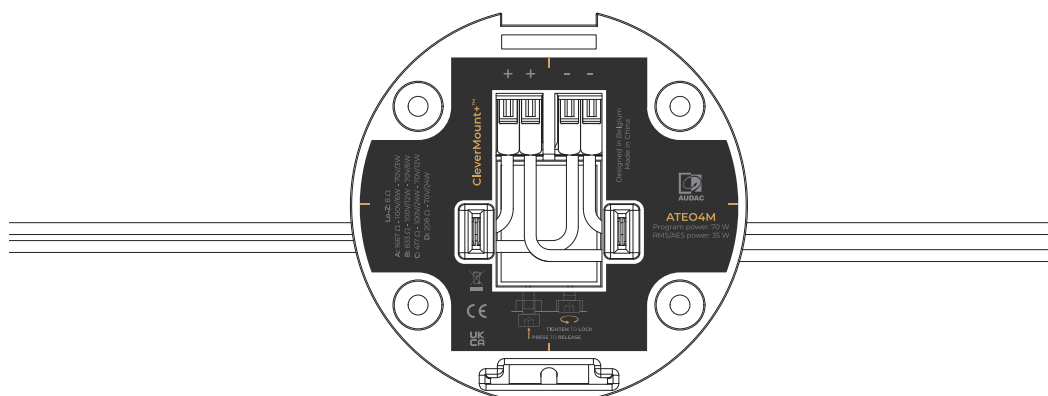


ATEO6M



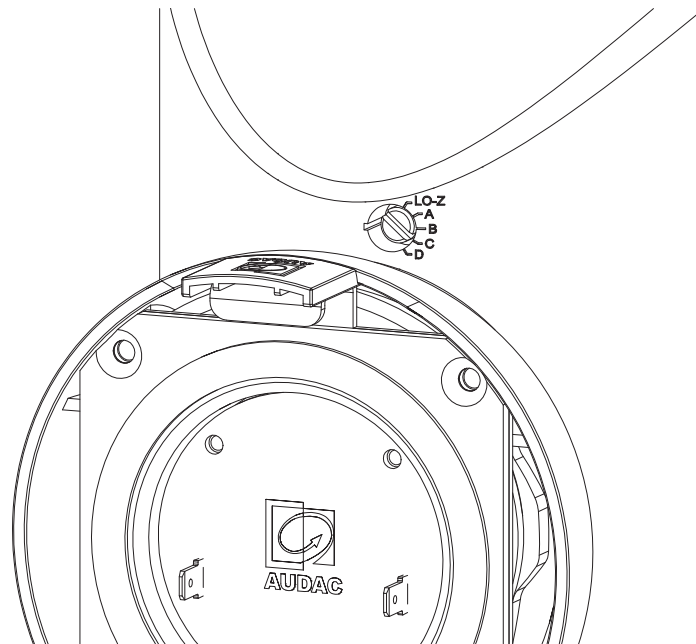
2) Make the connections

After the wall mount is installed, the connections can be made. The wires coming from the amplifier shall be connected to the corresponding terminals of the WAGO terminal block connector. The positive or the signal output of the amplifier should be connected to the first corresponding positive terminal of the WAGO connector, while the negative or the common should be connected to the first corresponding negative terminal of the WAGO connector. Positive and negative connection points are clearly indicated on CleverMount+™. Secondary terminal block connection points can be used to wire the next ATEOxM.



3) Set the external power tap selection on ATEOxM (not for ATEOxDM)

The ATEOxM can be connected in low impedance (8 Ω) or high impedance (70/100V) systems. For use in high impedance (70/100V) systems, various power tapplings can be selected. Depending on whether the speaker will be used in LO-Z or 70/100V applications, the ATEOxM has an integrated external power tap selector hidden on the rear which is protected by a plastic cap. On the otherhand, the ATEOxDM can be connected only in low impedance (16 Ω) and there is no rotary switch on it.

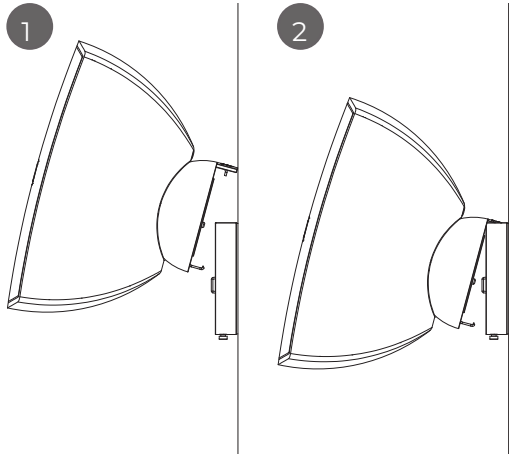


When using in constant voltage 70V/100V systems, the power taps can be adjusted in 4 steps of impedance through selection of the correct connection terminals indicated with A, B, C & D. Each position corresponds with a specific impedance / power setting indicated on a label on the wall plate and in the table below.

Rotary switch	ATEO4M			ATEO6M		
	100V	70V	Imp.	100V	70V	Imp.
LO-Z			8Ω (ATEO4M)			8Ω (ATEO6M)
A	Not used	24W	208Ω	Not Used	50W	100Ω
B	24W	12W	417Ω	50W	25W	200Ω
C	12W	6W	833Ω	25W	12.5W	400Ω
D	6W	3W	1667Ω	12.5W	6,25W	800Ω

4) Mount ATEOxM on CleverMount+™

CleverMount+™ mounting system provides great ease of installing the ATEOxM. Secure and safe installation of the speaker is ensured thanks to the separate bracket base. Installation is described below in 5 steps.

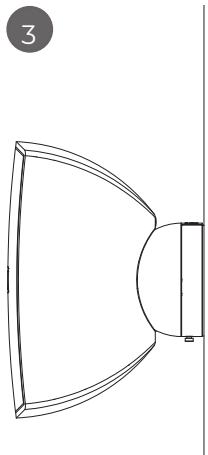


Step 1

ATEOxM has two connection latches on it and those connection latches should be placed to attachment points on CleverMount+™ mounting system.

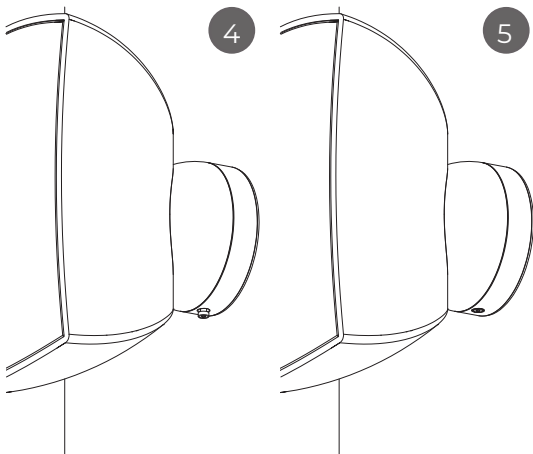
Step 2

Carefully place the top hook to its place on the mounting system and slowly push the ATEOxM and be sure connection blades and the bottom latch is inserted.



Step 3

When the mounting is done correctly, connecting blades of mounting system will be mated with ATEOxM and a clicking sound will be heard.



Step 4

There is a spring-loaded locking mechanism on the bottom to lock the attached speaker or to release it from the wall mount. The ATEOxM can be taken out of its place by pushing the spring-loaded locking bolt when it is not locked.

Step 5

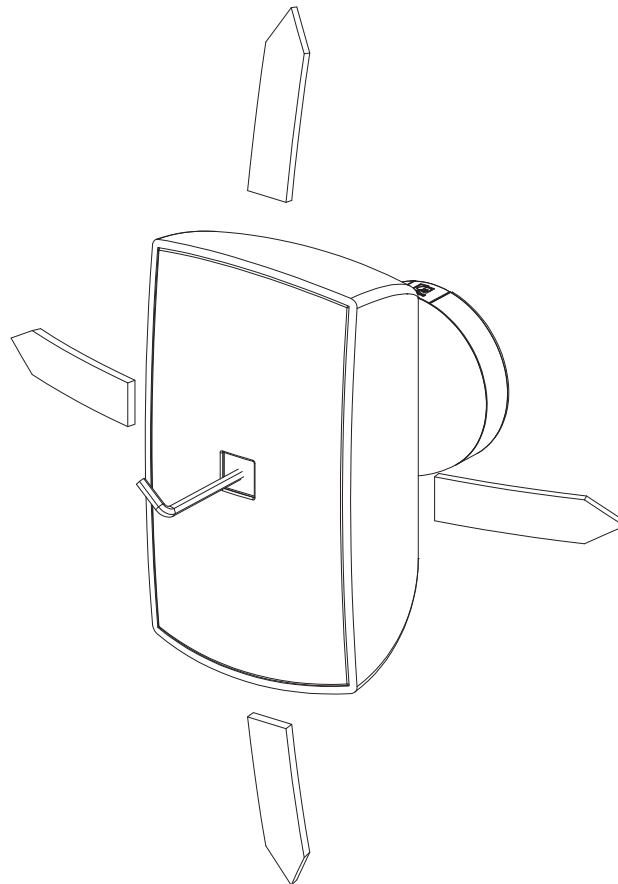
Tighten the spring-loaded locking bolt placed at the bottom with the Allen key to ensure secure and safe permanent installation.

Positioning ATEOxM

The last step in the mounting procedure of the speaker is pointing it in the desired direction by untightening the Allen-key bolt located in the centre of the speaker grill. The AUDAC logo comes separately to be placed in the centre of the speaker grill after the positioning of the ATEOxM. After this bolt is untightened by a few turns, the speaker will be in a free state, making it possible to move it into the left (30°), right (30°), up (5°) and down (30°) position. It can also be rotated from vertical to horizontal position (rotate counter-clockwise).

Once the speaker is placed in position and pointing into the right direction, it can be locked by tightening the allen-key bolt. Subsequently the logo should be placed again in front of the allen-key bolt.

The ATEOxM has a protection class of IP66 thanks to the fully sealed cabinet and hydrophobic cloth behind the grill. Position the ATEOxM at a minimum down tilt of 5° for outdoor installations. Standing water is avoided through this installation.



Technical specifications



	ATEO4M	ATEO6M
Peak Power handling	140W	240W
Program Power handling	70W	120W
RMS/AES power handling	35W	60W
Nominal impedance	8 Ω	
Sensitivity 1W/1m	86 dB	89 dB
Sound pressure Max W/1m	101 dB @ 8 Ω 100 dB @ 100V	106 dB @ 8 Ω 105 dB @ 100V
Frequency response \pm 3dB	100 Hz - 20kHz	65 Hz - 20 kHz
Dispersion	Horizontal	130°
	Vertical	130°
Connectors	2 x WAGO terminal block connections	
Drivers	4" MF / LF Woofer	6" MF / LF Woofer
	1" Dome tweeter	1" Dome tweeter
Line Transformer Tappings	1	208 Ω - 100 V / Not used - 70 V / 24 W
	2	417 Ω - 100 V / 24 W - 70 V / 12 W
	3	833 Ω - 100 V / 12 W - 70 V / 6 W
	4	1667 Ω - 100 V / 6 W - 70 V / 3 W
Ingress Protection rating	IP66	
Construction	ABS	
Front finish	Aluminium grill with hydrophobic cloth	
Colour	Black (RAL9005)	
	White (RAL9003)	
Dimensions (w x h x d)	136 x 244 x 153 mm	193.1 x 347.5 x 215.2 mm
Weight	2.050 kg	3.820 kg
Included accessories	2 x Allen-key wrench	
Optional accessories	WMP40M	WMP60M
	WMA40M	WMA60M
	RMA45M	

Technical specifications

	ATEO4DM	ATEO6DM
Peak Power handling	140W	240W
Program Power handling	70W	120W
RMS/AES power handling	35W	60W
Nominal impedance	16 Ω	
Sensitivity 1W/1m	86 dB	89 dB
Sound pressure Max W/1m	101 dB @ 16 Ω	106 dB @ 16 Ω
Frequency response ± 3dB	100 Hz - 20kHz	65 Hz - 20 kHz
Dispersion	Horizontal	130°
	Vertical	120°
Connectors	2 x WAGO terminal block connections	
Drivers	4" MF / LF Woofer	6" MF / LF Woofer
	1" Dome tweeter	1" Dome tweeter
Ingress Protection rating	IP66	
Construction	ABS	
Front finish	Aluminium grill with hydrophobic cloth	
Colour	Black (RAL9005)	
	White (RAL9003)	
Dimensions (w x h x d)	136 x 244 x 153 mm	193.1 x 347.5 x 215.2 mm
Weight	1.75 kg	3.47 kg
Included accessories	2 x Allen-key wrench	
Optional accessories	WMP40M	WMP60M
	WMA40M	WMA60M
	RMA45M	