

Highlights:

- Innovative & unique design
- Wide opening angle
- AWX5™ waterproof connector
- Outdoor rated construction
- Countless mounting possibilities
- Multi-tapping 70V / 100V line transformer

Product information:

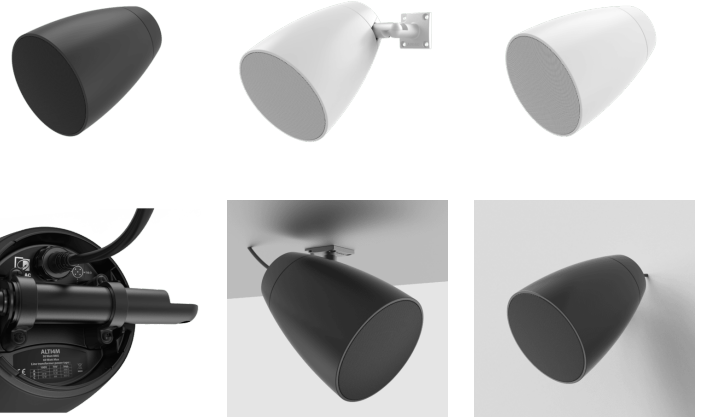
"Don't feel like hanging around?"

The ALTI4M is a variant of the ALTI pendant speakers, featuring a die-cast mounting bracket for wall & ceiling mount purposes. This allows the same audio system design and identity throughout the entire installation in case some areas are not allowing pendant solutions being used due to the ceiling heights or structures. Acoustics and construction are identically crafted, while connections are made through weatherproof AWX5™ connectors, this construction has an IP65 rating.

The ALTI4M features a 2-way 4" driver combination with a coaxially mounted 1" soft dome tweeter and is fitted with a phase plug for excellent off-axis performance. The 2-way combination with a high-quality polypropylene enclosure and acoustic engineering craftsmanship guarantees premium performance for demanding applications. A continuous power handling of 30 Watt (RMS) and maximum power handling of 60 Watt is achieved.

Applications:

- Bars & Restaurants
- Corporate
- Sporting facilities



Certification:




Properties:

 Weatherproof

Impedance:

Ω 16 Ohm

Voltage:

 70-100 Volt

System specifications:

Peak power handling		120 W
Program power handling		60 W
RMS/AES power handling		30 W
Speaker type		2-way coaxial
Drivers		4"
Impedance		16 Ω
Line Transformer Tappings	1	208 Ω - 100 V / Not used - 70 V / 24 W
	2	417 Ω - 100 V / 24 W - 70 V / 12 W
	3	833 Ω - 100 V / 12 W - 70 V / 6 W
Dispersion	Conical	165° (average 500 Hz to 5 kHz @ -6 dB)
Connectors		Waterproof AWX-5 connector
Sensitivity (1W/1m)		80 dB
Sound Pressure (Max. W/1m)	@ 16 Ω	95.1 dB
Frequency	Range (-10 dB)	65 Hz - 20 kHz
	Response (\pm 3 dB)	85 Hz - 20 kHz
Ingress Protection rating		IP65

Product Features:

Dimensions	205 x 170 x 258 mm (W x H x D)	
Connection cable length	0.7 m	
Construction	Polypropylene	
Front finish	Aluminium grill	
Mounting & handling	2-way Revolving mounting bracket	
Accessories	Included	5-pin connection cable (70 cm) - AWC07
		2-way Revolving mounting bracket
Weight	2.31 kg	

Variants:

- ALTI4M/B - Black version
- ALTI4M/W - White version

Architects' and Engineers' Specifications:

This loudspeaker shall be a 2-way coaxial type featuring a 4" driver and a 1" soft dome tweeter and fitted with a line transformer allowing it to be used on both low impedance (16 Ohm) and 70/100 Volt distributed lines.

It shall have an RMS power handling of 30 Watt with a maximum power handling of 60 Watt and the frequency response (± 3 dB) shall range from 85 Hz to 20 kHz. The sensitivity shall be at least 80 dB when measuring with an input signal of 1 Watt at a distance of 1 meter, while the maximum continuous sound pressure level at 100 V shall be 95.1 dB. The nominal dispersion shall be a 165° conical coverage pattern at -6dB (average 500Hz - 5kHz).

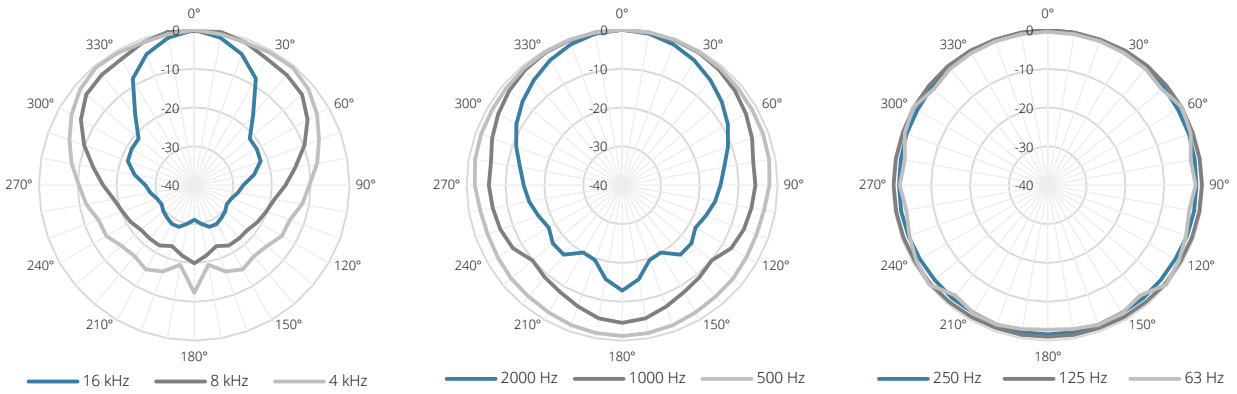
The loudspeaker shall have an impedance of 16 Ohm and shall be fitted with a multi-tapping line transformer with tapings for 24 Watt, 12 Watt, 6 Watt and 3 Watt including a 16 Ohm bypass. Selection of the power taps shall be done using a rotary switch located under the cable cover.

The speaker frame shall be constructed in high quality Polypropylene material which comes available in black and white. A weatherproof AWP5™ connection must be used, which gives the speaker an IP65 rating. Mounting the loudspeaker shall be done with the die-cast 2-way revolving mounting bracket.

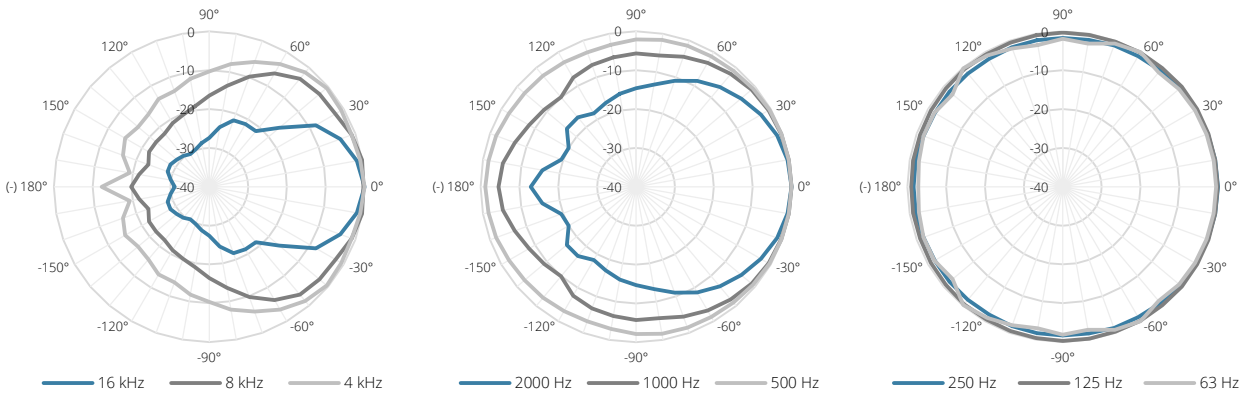
The loudspeaker shall have a diameter of 170 mm, a height of 258mm and the weight shall not exceed 4kg.

Acoustical data graphs:

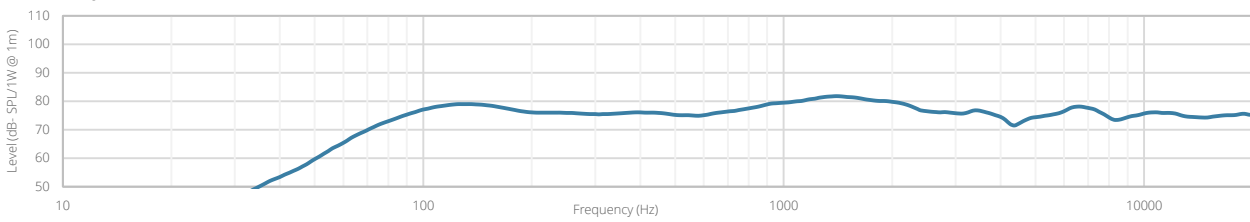
Horizontal Polars:



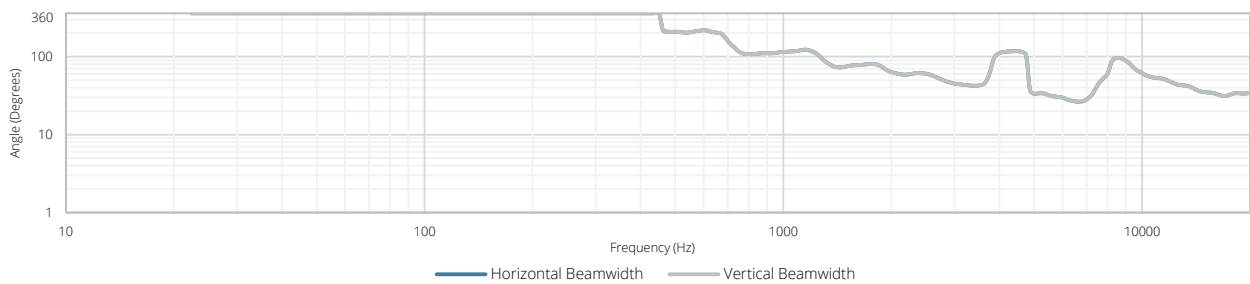
Vertical Polars:



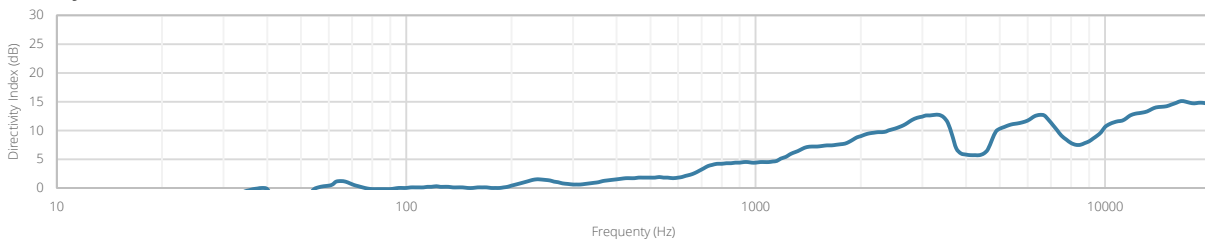
Sensitivity:

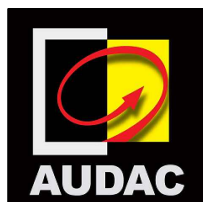
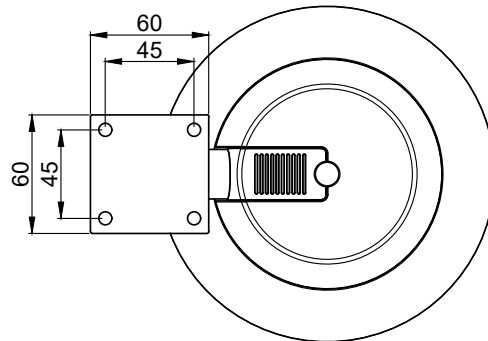
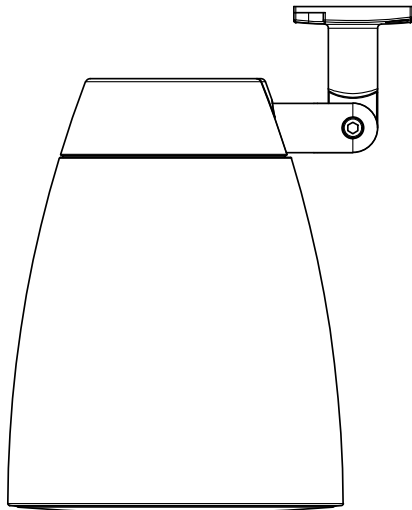
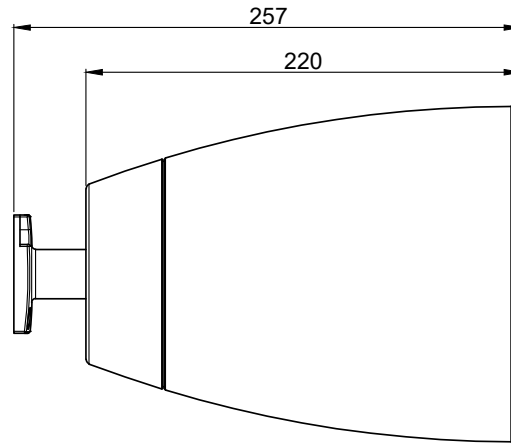
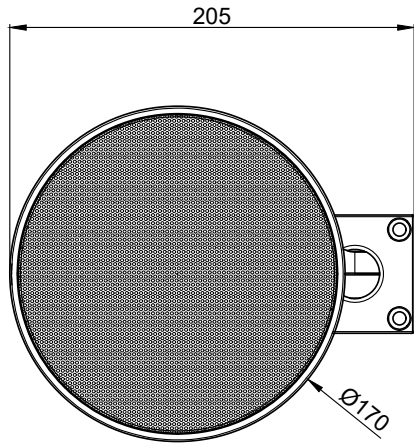


Beamwidth (-3dB):



Directivity index:





ALTI4M

Product description:

2-WAY 4" PROJECTOR SPEAKER 24W - 70V/100V & 16 OHM

Weight:

TBA

Outer dimensions:
(w x h x d)

205 x 170 x 257

Unit height:

N/A