



# BT7504

FLAT SCREEN DISPLAY TROLLEY / STAND

## INSTALLATION GUIDE & PARTS LIST

This Pack Contains 1 Trolley / Stand

PLEASE KEEP THIS FOR FUTURE REFERENCE



### FEATURES

- Designed for medium flat screens up to 42" (107cm) / 24kg
- Fits screens with VESA mounting patterns:  
75 x 75mm, 100 x 100mm, 200 x 100mm and 200 x 200mm
- Non-marking 50mm braked castors included  
Also supplied with optional screw in levelling feet
- 1.1m Ø50mm pole supplied with 4 cable management holes
- Trolley Dimensions (including wheels):  
H. 1210mm D. 455mm W. 735mm



### CONTENTS

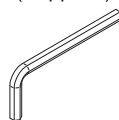
Installation Safety Notes.....	2
Parts List.....	4
Safety Instructions.....	6
Installation Instructions.....	7
Optional Accessories.....	17
Product Dimensions.....	18
B-Tech Contact Details.....	20

### INSTALLATION TOOLS REQUIRED

Crosshead  
screwdriver



Hex Keys  
(Supplied)



**B-TECH AUDIO VIDEO MOUNTS**

[www.btechavmounts.com](http://www.btechavmounts.com)

# INSTALLATION SAFETY INSTRUCTIONS



**CAUTION:** This trolley / stand is intended for use only with the maximum weights indicated. Use with flat screen heavier than the maximum indicated may result in instability causing possible injury.

Do not attempt to install this product until all instructions and warnings have been read and properly understood. Please keep these instructions for future reference. Please check carefully to make sure there are no missing or defective parts - defective parts must never be used. B-Tech International Limited, its distributors and dealers are not liable or responsible for damage or injury caused by improper installation, improper use or failure to observe these safety instructions. In such cases, all guarantees will expire.

## **General**

Great care must always be taken during installation as most AV equipment is of a fragile nature, possibly heavy and easily damaged if dropped.

If you do not fully understand the instructions or are not sure how to install this product safely, then please consult a professional for advice and/or to install this product for you. Failure to mount this product correctly may cause serious injury or death both during installation and at any time thereafter. Do not mount any AV equipment that exceeds the specific weight limit of the product you are installing. This weight limit will be clearly stated on each product and its packaging and will vary from product to product.

## **Product location**

Please pay careful attention to where this product is located. Some locations are not suitable for installation.

If located in a public or frequently populated area ensure that the product is out of the immediate reach of people.

## **Fixing hardware**

It is highly recommended that all fixing screws be used where supplied and that the purpose of all other fixing hardware is fully understood. In some cases more AV equipment fixing hardware will be supplied to accommodate different models of equipment and set up configurations.

The installer must be satisfied that any supplied fixing hardware is suitable for each specific installation. If any fixing screws or included hardware are deemed not sufficient for a safe installation then please consult a professional or your local hardware store.

## **Hazard limitation**

When routing cables take advantage of any built in cable management features that the product might provide and ensure that all cables are tidy and secure. Check to see that any moving aspect of the product can do so unhindered by any cabling.

Some products have moving parts and the potential to cause injury through the crushing or trapping of fingers or other body parts.

Particular attention to the nature of moving parts is required especially when assembling installing and adjusting during set up.

Immediately after installations double-check that the work done is safe and secure. Double-check all necessary fixings are present and are of ample tightness.

It is recommended that periodic inspections of the product and its fixing points are made as frequently as possible to ensure that safety is maintained. If in doubt consult a professional AV installer or other suitably qualified person.

CS

Společnost B-Tech International Ltd. doporučuje provést instalaci tohoto produktu prostřednictvím odborného instalátora AV či jinak způsobilé osoby. Společnost B-Tech International Ltd, její distributoři a prodejci nenesou odpovědnost za škody nebo zranění způsobená nevhodnou instalací. Tento výrobek je nutno umístit do vhodné konstrukce a používat jen po uvedené maximální výšce.

DE

B-Tech International Ltd. empfiehlt, dass dieses Produkt durch einen qualifizierten AV-Techniker oder eine andere Person mit geeigneter Qualifikation installiert wird. B-Tech International Ltd, ihre Distributoren und Händler können nicht für durch fehlerhafte Montage verursachte Beschädigung oder Verletzung haftbar bzw. verantwortlich gemacht werden. Dieses Produkt muss auf eine geeignetem Untergrund montiert werden und darf nur bis zum angegebenen Höchstgewicht verwendet werden.

ES

B-Tech International Ltd. recomienda que un instalador de audio y vídeo profesional u otra persona debidamente cualificada instalen este producto. B-Tech International Ltd, sus distribuidores y concesionarios no se hacen cargo ni se responsabilizan de ningún daño o lesión provocados por una instalación inapropiada. Este producto se debe montar en una estructura adecuada y se debe utilizar soportando solamente hasta el peso máximo indicado.

FR

B-Tech International Ltd. recommande de confier l'installation de ce produit à un installateur AV professionnel ou à une autre personne dûment qualifiée. B-Tech International Ltd, ses distributeurs et ses revendeurs ne sauraient être tenus responsables de tout dégât ou de toute blessure résultant d'une installation incorrecte. Ce produit doit être monté sur un support approprié et utilisé dans la limite du poids maximum indiqué.

IT

B-Tech International Ltd. consiglia di affidare l'installazione di questo prodotto a un installatore specializzato o ad altra persona adeguatamente qualificata. B-Tech International Ltd, i suoi distributori e rivenditori non accettano alcuna responsabilità nei riguardi di eventuali danni o infortuni causati da un'errata installazione. Questo prodotto deve essere fissato a una struttura idonea e utilizzato unicamente sino al peso massimo indicato.

NL

B-Tech International Ltd. adviseert om dit product te laten installeren door een professionele AV-installateur of andere hiervoor gekwalificeerde persoon. B-Tech International Ltd, haar distributeurs en dealers zijn niet aansprakelijk of verantwoordelijk voor schade of letsel die is veroorzaakt door onoordeelkundige installatie. Dit product moet worden gemonteerd aan een geschikte constructie, waarbij het aangegeven maximum gewicht niet mag worden overschreden.

PL

Firma B-Tech International Ltd. zaleca, aby ten produkt był instalowany przez profesjonalnych instalatorów AV lub inny odpowiednio przeszkolony personel. Firma B-Tech International Ltd, jej dystrybutorzy i dealerzy nie ponoszą odpowiedzialności za uszkodzenia lub obrażenia ciała powstałe w wyniku nieprawidłowej instalacji. Niniejszy produkt musi być zamontowany na odpowiedniej powierzchni, a podczas użytkowania nie wolno przekraczać podanego maksymalnego obciążenia.

PT

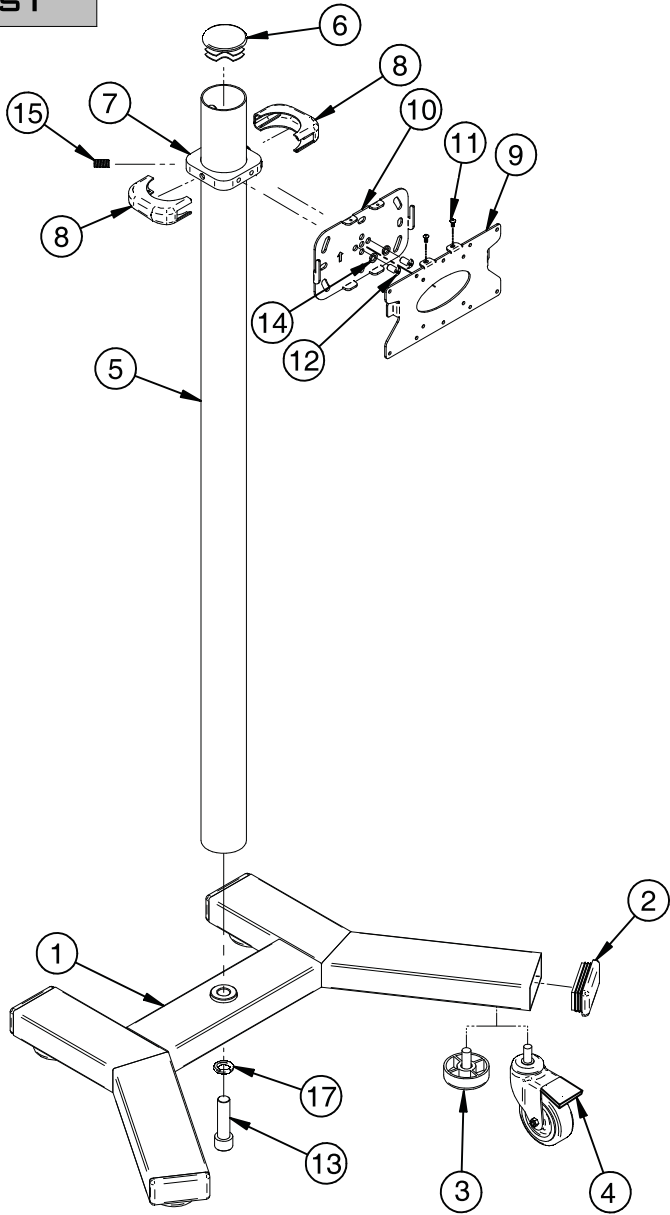
A B-Tech International Ltd. recomenda que a instalação deste produto seja efectuada por um instalador de AV profissional ou outra pessoa devidamente habilitada. A B-Tech International Ltd. e os seus distribuidores e concessionários não são responsáveis por danos ou lesões causados por uma instalação incorrecta. Este produto tem de ser montado numa estrutura adequada e utilizado somente até ao peso máximo indicado.

RU

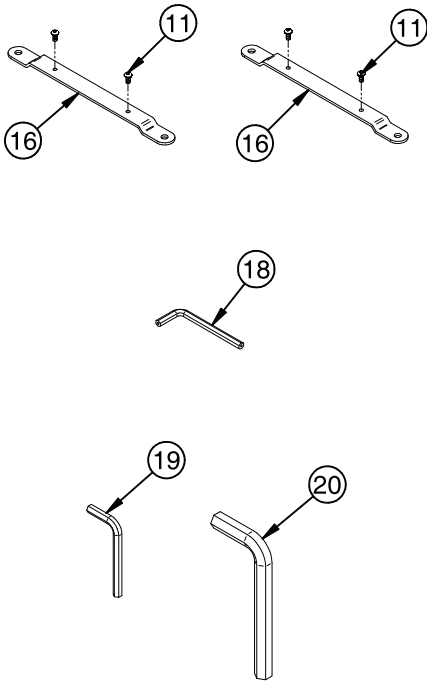
Компания B-Tech International Ltd. рекомендует, чтобы установка данного изделия производилась инженером по установке аудио-видеотехники или другим специалистом с соответствующей квалификацией. Компания B-Tech International Ltd., ее дистрибьюторы и дилеры не несут ответственности за повреждения или травмы, полученные в результате неправильной установки. Данное изделие должно

توصي بي-تيك للتجارة الدولية المحدودة بأن شخص محترف في تركيب ال AV او شخص مؤهل تأهيلا مناسباً لتركيب هذا المنتج. بي-تيك للتجارة الدولية، موزعيها والتجار ليست عرضة أو مسؤولة عن الأضرار أو الإصابات الناجمة عن تركيب غير سليم، والاستخدام غير السليم أو عدم مراعاة هذه التعليمات للسلامة. يجب أن يتم تركيب هذا المنتج في بنية مناسبة ويجب استخدام فقط لدعم الحد الأقصى للوزن المشار إليه.

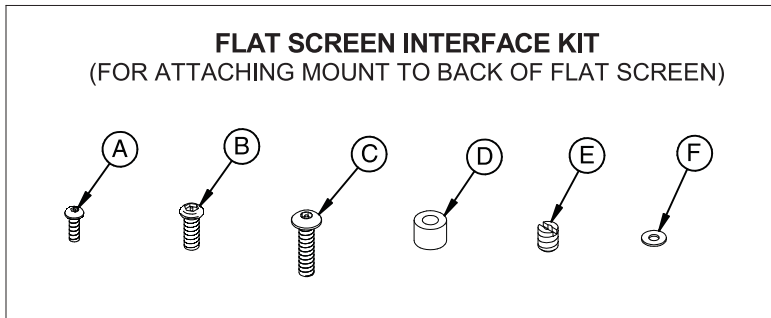
**BT7504  
PARTS LIST**



Suitable for loads  
up to 24kg



REF	PART NAME	QTY
1	TROLLEY BASE	1
2	BASE END CAP	4
3	LEVELLING FOOT	4
4	WHEEL	4
5	ø50mm POLE (LENGTH 1.1m)	1
6	POLE END CAP	1
7	ø50mm COLLAR	1
8	COLLAR COVER	2
9	INTERFACE PLATE	1
10	MOUNTING PLATE	1
11	M4 x 8mm SECURITY SCREW	6
12	M8 x 12mm SCREW	2
13	M16 x 60mm BOLT	1
14	M8 SPRING WASHER	2
15	M8 x 15mm GRUB SCREW	2
16	ADAPTOR ARM	2
17	M16 SPRING WASHER	1
18	4mm PIN HEX KEY	1
19	5mm PIN HEX KEY	1
20	14mm PIN HEX KEY	1
INTERFACE KIT		
A	M4 x 12mm SECURITY SCREW	4
B	M6 x 16mm SECURITY SCREW	4
C	M6 x 25mm SECURITY SCREW	4
D	SPACER (FOR PART C)	4
E	M8 TO M4 ADAPTOR (FOR PART A)	4
F	WASHER (FOR PART A)	4



PLEASE KEEP THIS FOR FUTURE REFERENCE

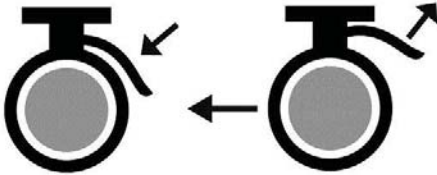


# WARNING

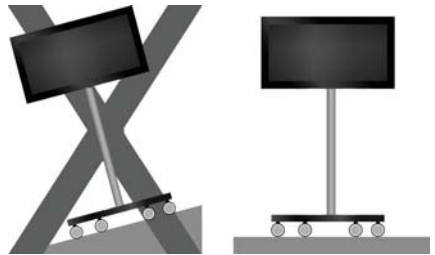


**CAN TIP OVER WHICH MAY LEAD TO  
SERIOUS INJURY.  
DO NOT ALLOW CHILDREN UNDER 16  
TO MOVE TROLLEY.  
MOVE TROLLEY SLOWLY**

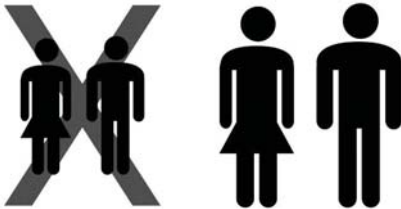
**ALWAYS APPLY BRAKES WHEN  
TROLLEY IS STATIONARY  
RELEASE BRAKES WHEN PUSHING  
TROLLEY.**



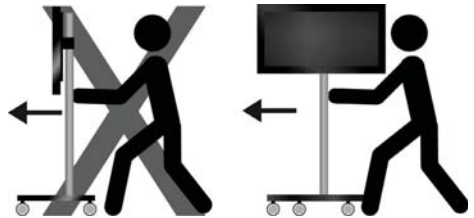
**NEVER LEAVE TROLLEY ON  
AN INCLINE.  
ALWAYS PARK ON LEVEL GROUND**



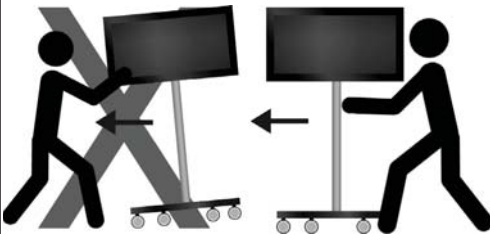
**ONLY ADULTS SHOULD PUSH  
THIS TROLLEY**



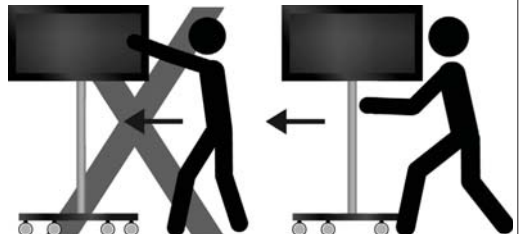
**PUSH TROLLEY ON  
NARROW SIDE**



**NEVER PULL TROLLEY.  
ALWAYS PUSH**



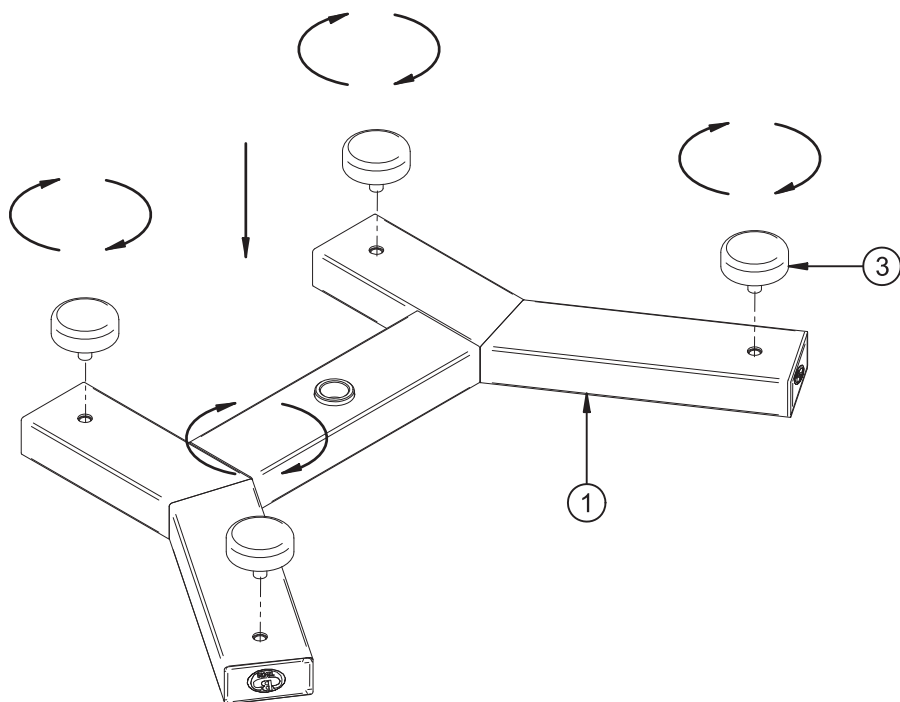
**DO NOT PUSH AT TOP OF TROLLEY.  
ALWAYS PUSH NEAR MIDDLE**



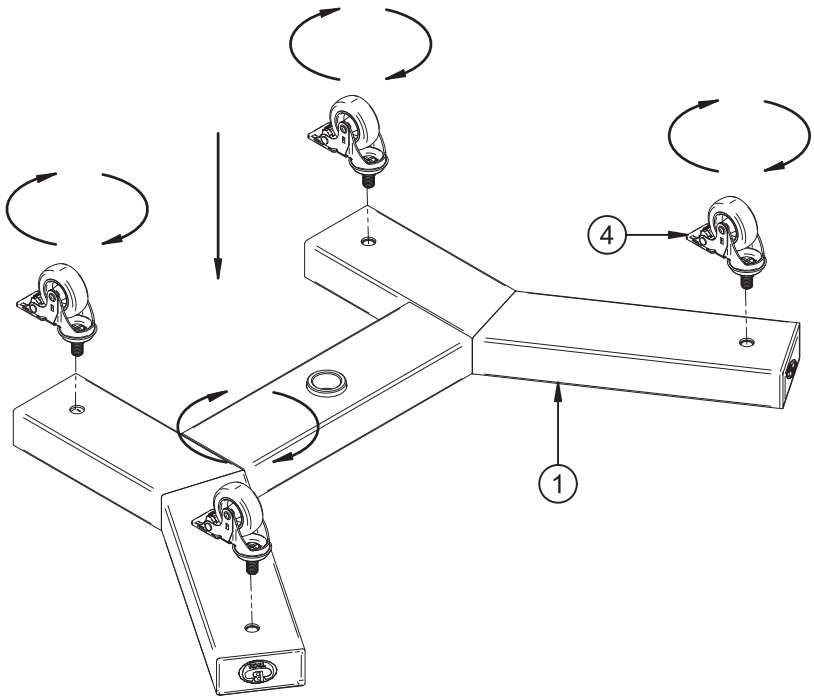
## PRODUCT ASSEMBLY

- 1** For fixed installation select the levelling feet. For mobile application select the braked wheels.

i. Screw the levelling feet to the trolley.



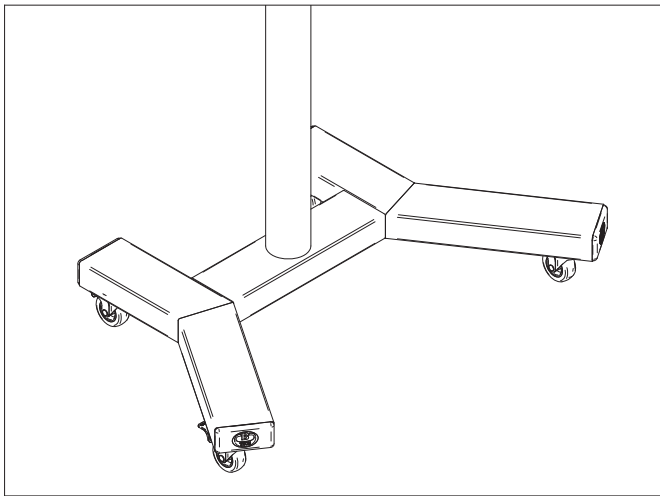
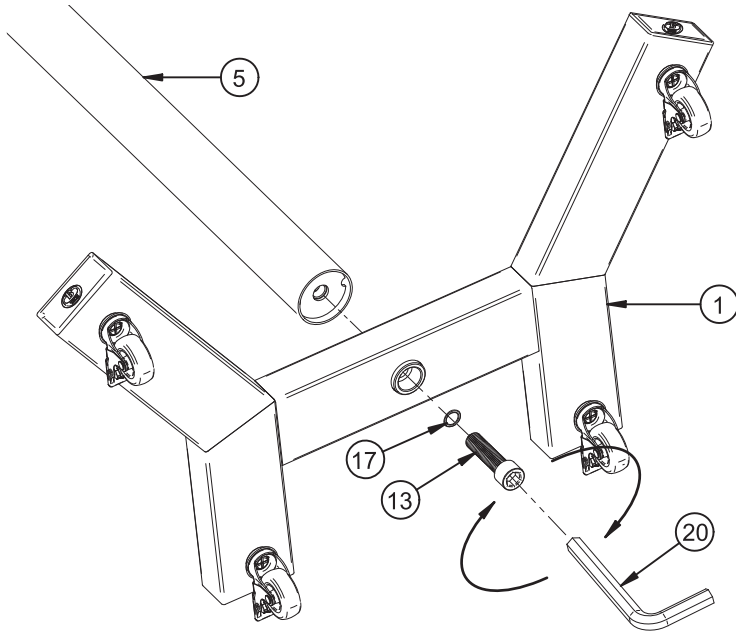
ii. Screw the wheels to the trolley.





2

Attach the pole to the trolley base.





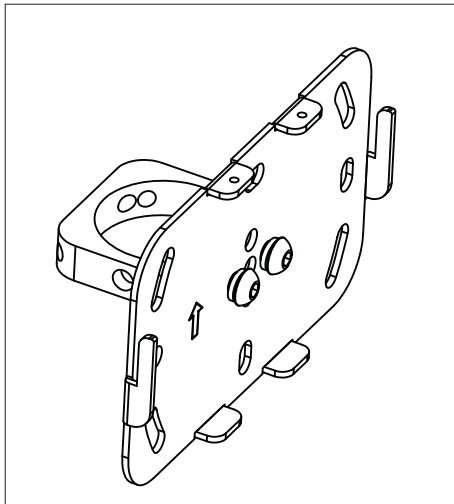
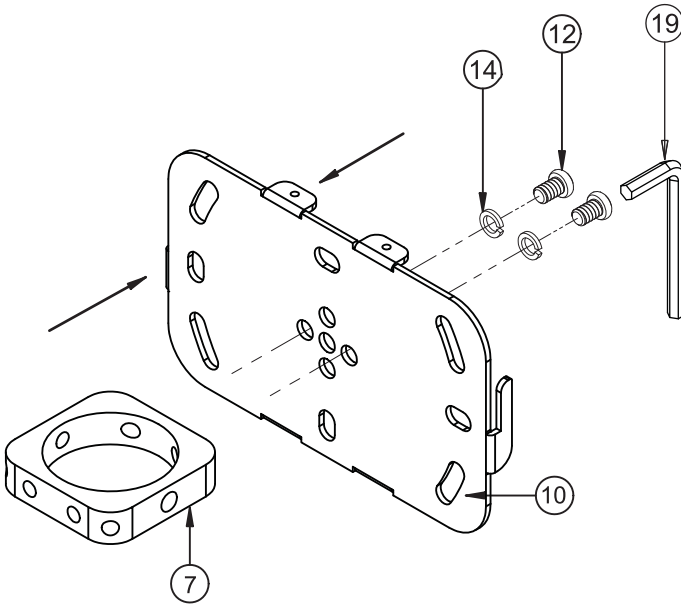
**IMPORTANT: OPTIONAL SHELF MOUNTING.**

IF A SPLIT BT7841 COLLAR IS NOT BEING USED, ATTACH THE SHELF TO THE POLE BEFORE FIXING THE MOUNTING PLATE



**3**

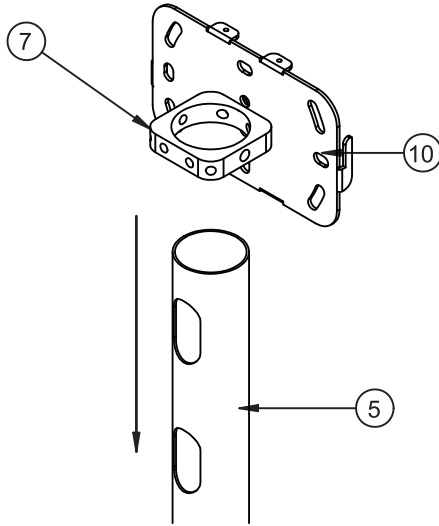
Fix the collar to the mounting plate.



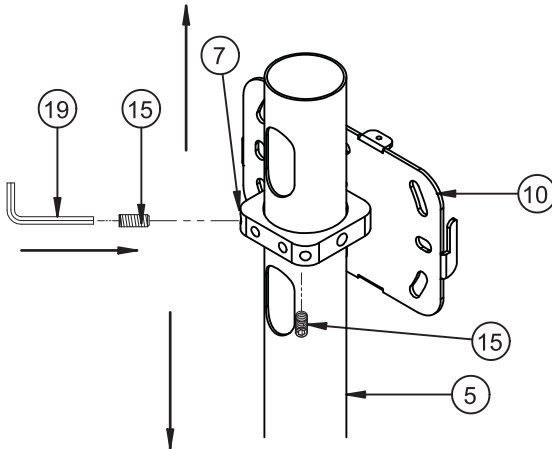
4

Fix collar and mounting plate to the pole.

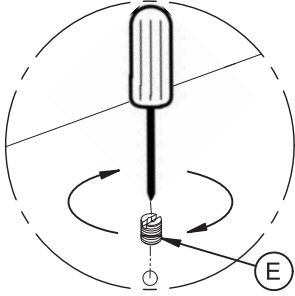
i. Slide the collar and mounting plate onto the pole.



ii. Fix at desired height using parts 15.

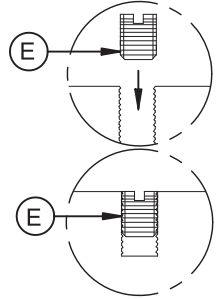


## SCREENS WITH M8 FIXINGS



Screw parts E into the flat screen fixing holes.

Continue with screen mounting step 5.

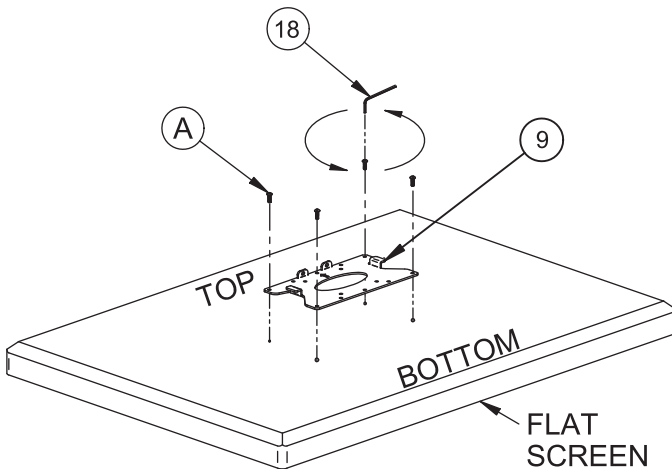
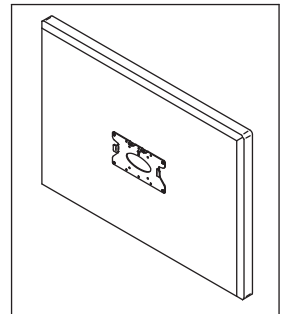


**5** There are two methods of attaching the mount to the screen, depending on the screen fixing pattern.

- A) VESA Fixings: 75 x 75mm, 100 x 100mm or 200 x 100mm (page 12)
- B) VESA Fixings: 200 x 200mm (page 13)

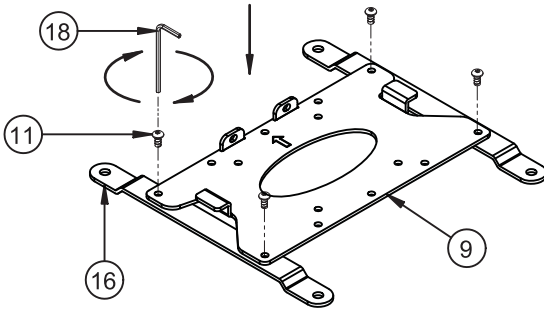
**A** VESA Fixings: 75 x 75mm, 100 x 100mm, 200 x 100mm

i. Attach interface plate to back of the screen.

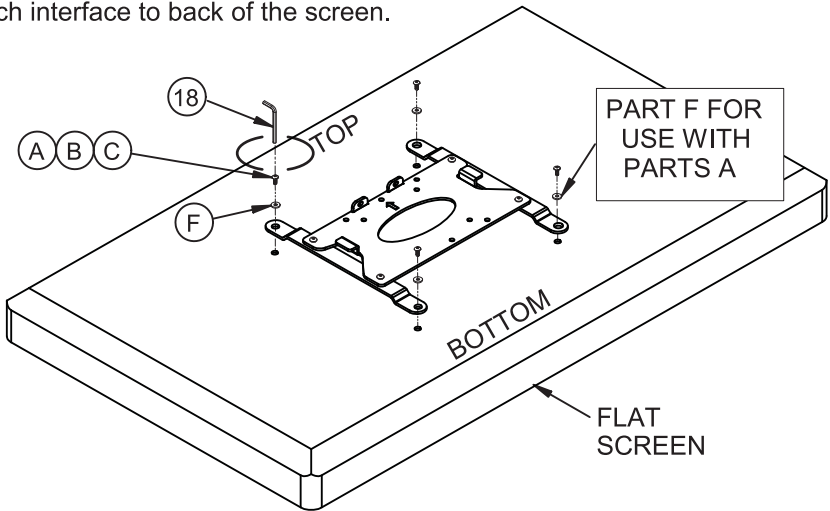


**B** VESA Fixing: 200 x 200mm

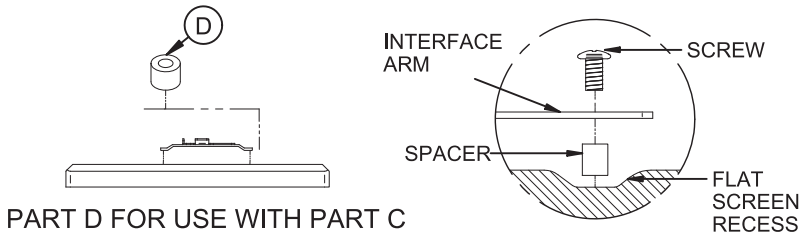
i. Fix the adaptor arms to the interface.



ii. Attach interface to back of the screen.



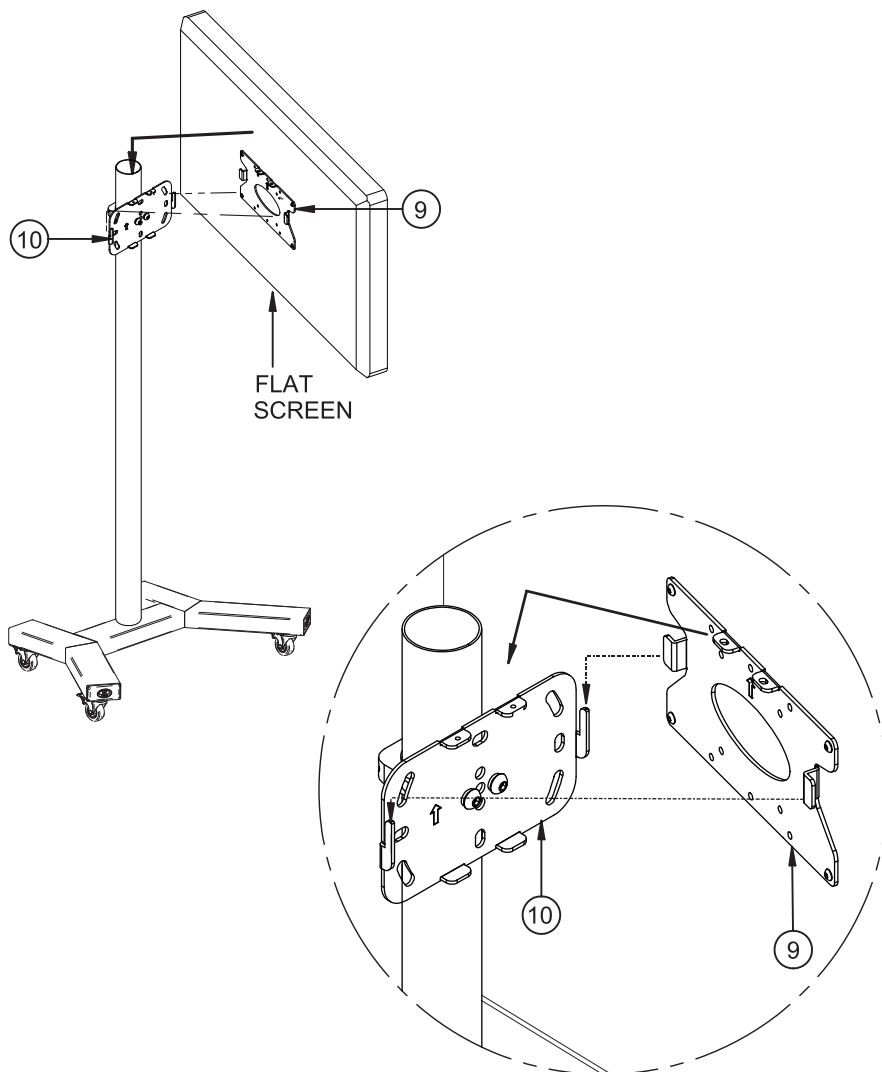
**FOR SCREENS WITH RECESS FIXINGS**



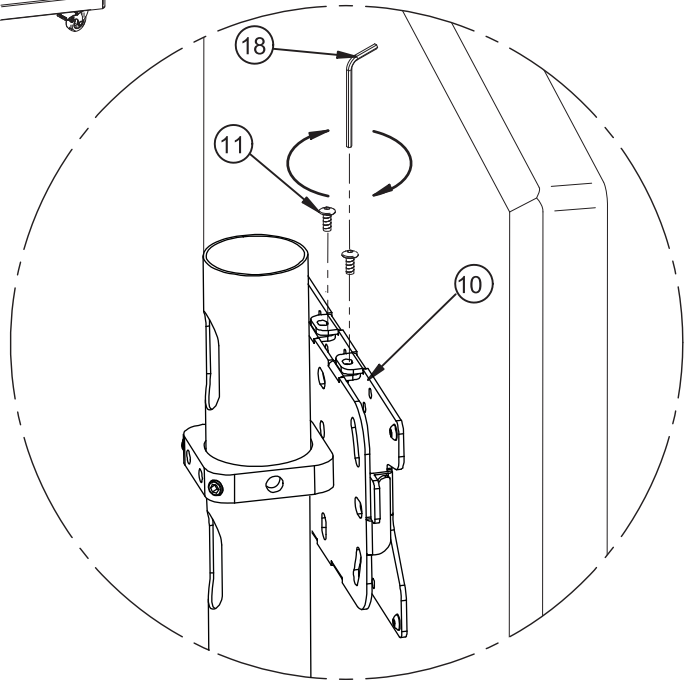
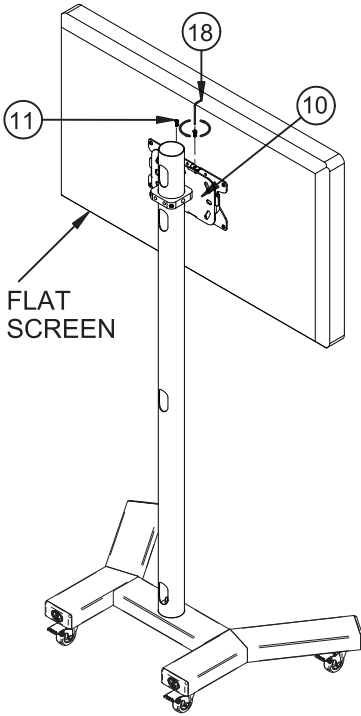
## 6 Attach flat screen to trolley.

i. Hook on flat screen.

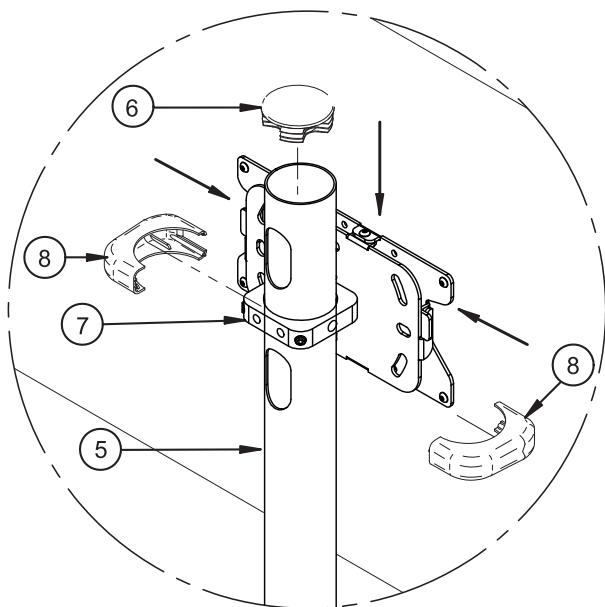
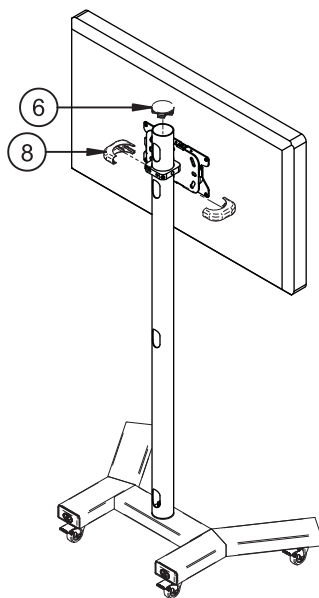
**⚠ WARNING: Lock wheels before hooking flat screen on. ⚠**



ii. Secure in place using parts 11.

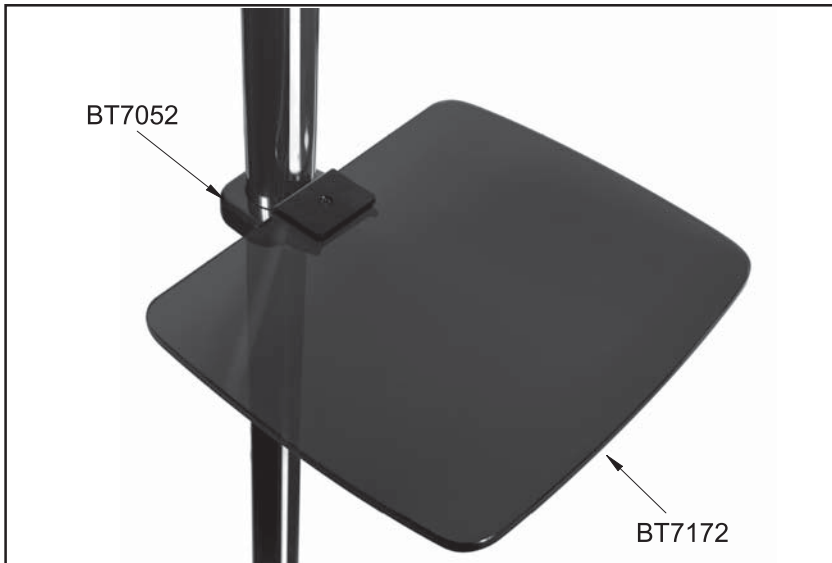


Attach the collar covers (parts 8) and pole end cap (part 6) to trolley / stand.

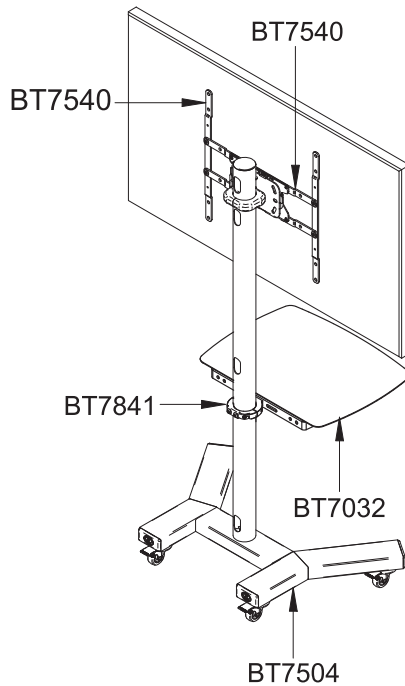




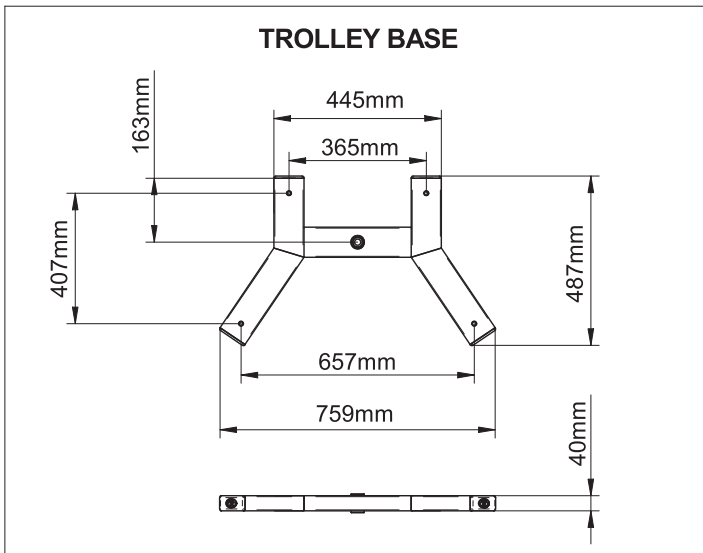
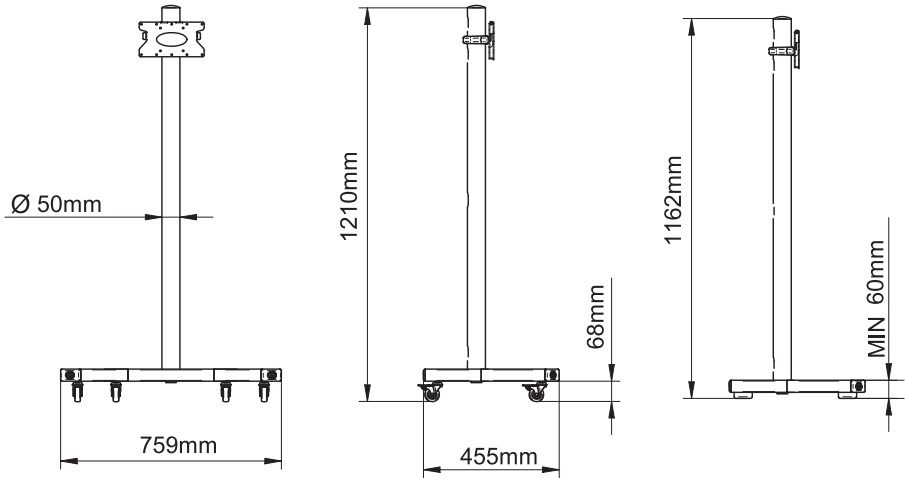
## OPTIONAL ACCESSORIES



2 SETS OF  
BT7540  
REQUIRED  
FOR  
VESA 400 x  
400mm



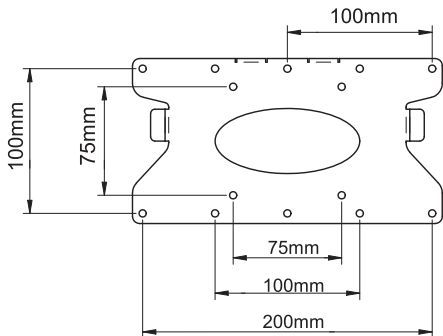
# BT7504 PRODUCT DIMENSIONS



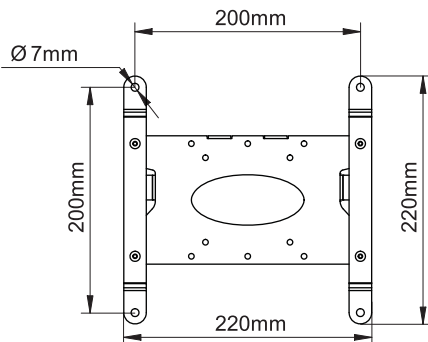
THESE INSTRUCTIONS ARE INTENDED AS A GUIDE ONLY AND B-TECH ACCEPTS NO LIABILITY FOR THE ACCURACY OF THE INFORMATION CONTAINED IN THIS DOCUMENT.

**BT7504**  
**PRODUCT DIMENSIONS**

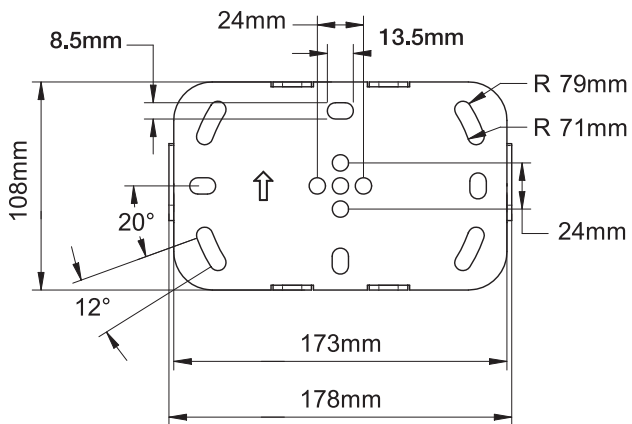
**INTERFACE PLATE**



**INTERFACE WITH ADAPTORS**



**MOUNTING PLATE**



THESE INSTRUCTIONS ARE INTENDED AS A GUIDE ONLY AND B-TECH ACCEPTS NO LIABILITY FOR THE ACCURACY OF THE INFORMATION CONTAINED IN THIS DOCUMENT.



[www.btechavmounts.com](http://www.btechavmounts.com)

## **B-TECH AUDIO VIDEO MOUNTS**

### **HEAD OFFICE**

#### **B-Tech International Limited**

Bennett House, Long March, Daventry, Northants., NN11 4NR, UK

Email: [info@btechavmounts.com](mailto:info@btechavmounts.com)

©2016 B-Tech International Limited. All rights reserved.

B-Tech Audio Video Mounts is a division of B-Tech International Limited.

B-Tech & Better By Design are registered trademarks of B-Tech International Limited.

All other brands and product names are trademarks of their respective owners.

Photographs are for illustrative purposes only. E&OE.

AMA-BT7504-V3.1-0116-03 MADE IN P.R.C.