



B-TECH AV MOUNTS™

ON/OFF
PEDAL LOCKS
INSTALLS IN
PLACE

BT8380-CASTORS

SYSTEM X™

4" NON-MARKING BRAKED CASTORS

Designed to add mobility to System X stands, the BT8380-CASTORS screw directly into the BT8380-BASE and feature a 4" non-marking rubber wheel that won't damage floors when the solution is stationary or whilst being moved. Supplied in pairs, the castors come with an easy to use brake pedal that keeps installations firmly in place when needed but allows quick and simple repositioning as required.

SPECIFICATION

Wheel diameter	100mm (4")
Wheel width	40mm
Height (including base)	193mm
Castors supplied per pack	2
Colour	Black

FEATURES

- Quickly screws into the BT8380-BASE to add mobility to System X floor stands
- Non-marking design allows installations to be repositioned without damaging floors
- Features an easy to use on/off brake pedal that prevents the installations from moving once they are positioned
- High-end aesthetic quality
- All mounting hardware included



Quickly screws into the BT8380-BASE to add mobility to System X floor stands



Braked mechanism allows the castors to be locked in position

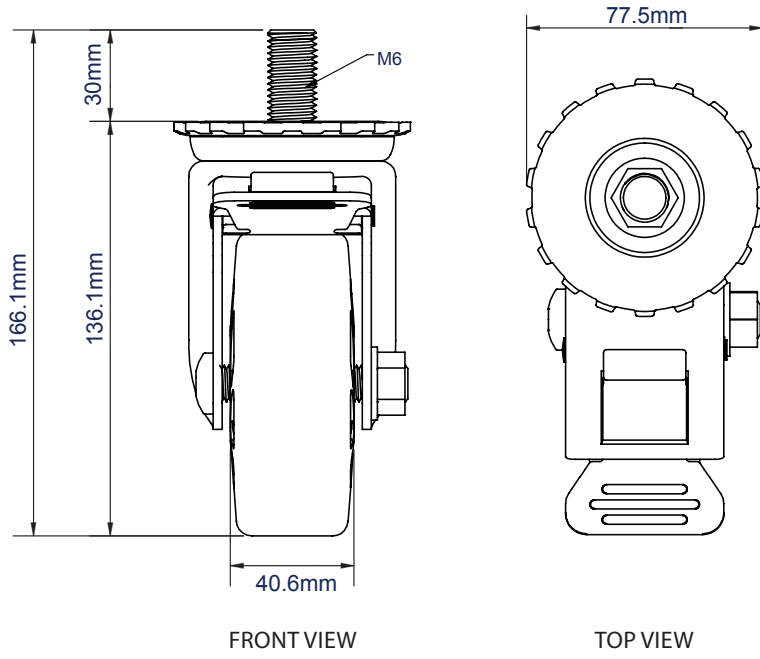


Supplied in pairs, two castors are required for each base used



Non-marking design allows installations to be repositioned without damaging floors





PACKING INFORMATION

COLOUR:	ORDER REF:	EAN CODE:	MASTER CARTON QTY:	INNER CARTON QTY:	MASTER CARTON WEIGHT:	MASTER CARTON CUBE:
Black	BT8380-CASTORS	5019318501067	8	0	21.7kg	0.05cbm

ACCESSORIES AND RELATED PRODUCTS



BT8380-BASE
 Floor Base for System X Trolleys and Stands for freestanding or mobile solutions



BT8380-060/180/240
 Vertical Support Column provides a platform for freestanding, mobile or bolt down solutions



BT8390-030/050/070/150/175/200
 Mounting Rail fits to columns, walls or poles using System X components



BT8380-JPK
 Joining Plate Kit fits BT8390 mounting rails to BT8380 support columns

© 2019 B-Tech Mounts Ltd. All rights reserved. The information in this specification is for reference only. B-Tech Mounts and B-Tech AV Mounts are registered trademarks of B-Tech International Design & Manufacturing Ltd. We reserve the right to change the technical or physical specifications without notice. This is not intended to be a contract. B-Tech Mounts and B-Tech AV Mounts are registered trademarks of B-Tech International Design & Manufacturing Ltd. B-Tech accepts no liability for loss or damage caused by improper or negligent use of the product. Any reproduction or transmission or republishing of any part of this specification is strictly prohibited, unless prior written permission has been granted by B-Tech International Design & Manufacturing Ltd. (BTD). SS-V1-BT8380-CASTORS-191017