



IDEAL FOR
MULTI-SCREEN
INSTALLATIONS

BT8390-VESA400T

SYSTEM X™ UNIVERSAL INTERFACE ARMS WITH TILT

FOR MEDIUM / LARGE SCREENS



Ideal for single row, multi-screen installations, these interface arms are designed to mount small to medium sized screens in a tilted position along System X horizontal mounting rails. The universal design is compatible with a variety of different screens and allows them to be mounted in either landscape or portrait orientations. Levelling screws on each interface arm provide post installation height adjustment and thumbwheels allow easy tool-less adjustment of the tilt angle up to 20°.

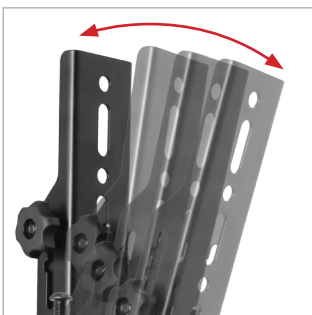
| SPECIFICATION | |
|--------------------------|-----------------------------------|
| Recommended screen size | 42" - 65" |
| Max load | 70kg |
| VESA® & non-VESA fixings | up to 400mm* (vertical dimension) |
| Tilt adjustment | up to +20° (in increments of 5°) |
| Colour | Black |

Supplied in pairs

*The VESA specification of the BT8390-VESA400T refers to the vertical dimension only. All System X interface arms can be positioned as far along the rail as necessary.

FEATURES

- Part of the System X range for use in a variety of applications
- Ideal for menu boards and other multi-screen installations
- Also ideal for specialist stretch screens using VESA 600 x 200 fixings (landscape orientation)
- Universal design compatible with most screens
- Suitable for landscape or portrait mounting
- High-end aesthetic quality
- Tool-less thumbwheels for easy adjustment of the tilt angle
- Lateral adjustment - position arms anywhere along the length of the rail
- Includes levelling screws to adjust the screen height
- Safety screws help prevent unauthorised removal of screens
- Simple 'hook-on' installation
- All mounting hardware included



Tilt adjustment of up to +20° for enhanced overhead visibility



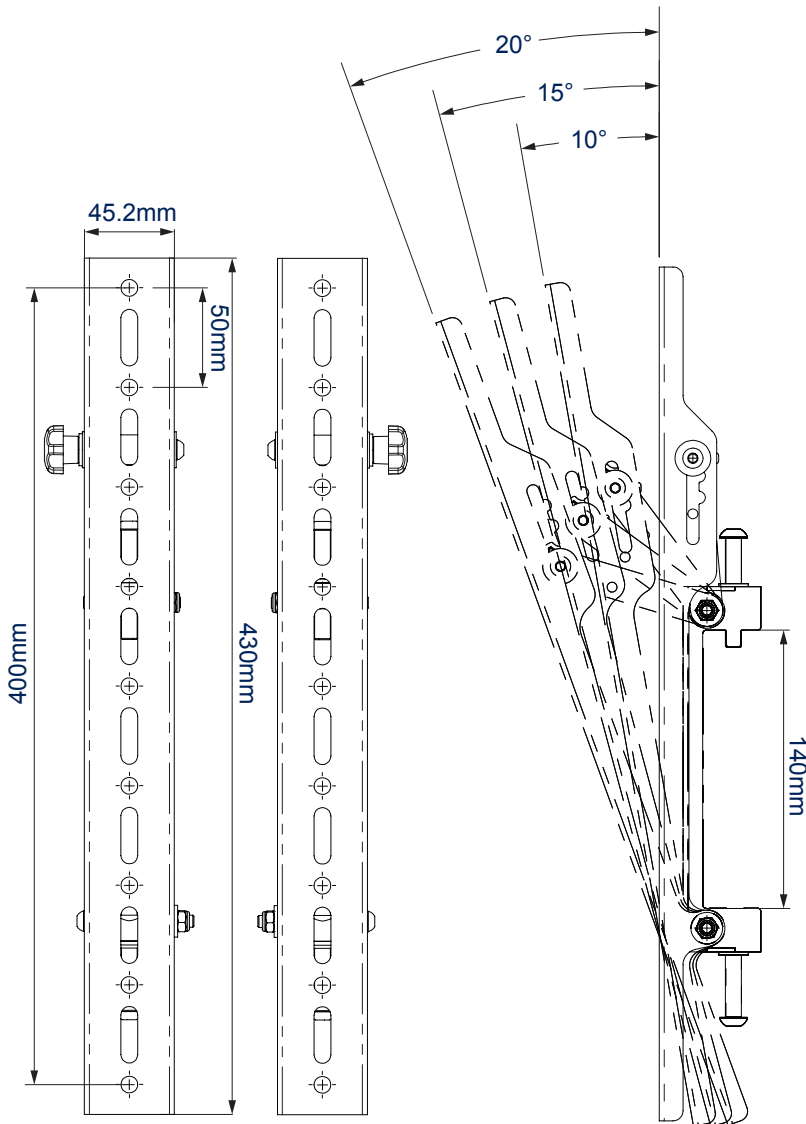
Arms feature levelling screws to adjust the screen height



Safety screws help prevent unauthorised removal of screens

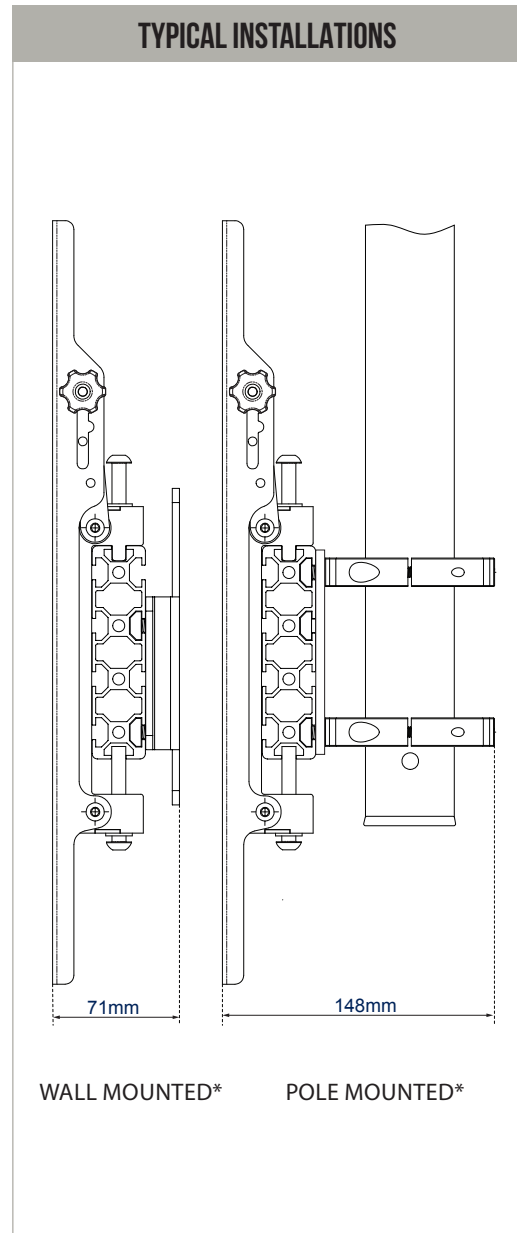


Simple 'hook-on' installation



FRONT VIEW

SIDE VIEW WITH TILT



WALL MOUNTED*

POLE MOUNTED*

PACKING INFORMATION

| COLOUR: | ORDER REF: | EAN CODE: | MASTER CARTON QTY: | INNER CARTON QTY: | MASTER CARTON WEIGHT: | MASTER CARTON CUBE: |
|---------|-------------------|---------------|--------------------|-------------------|-----------------------|---------------------|
| Black | BT8390-VESA400T/B | 5019318501234 | 8 | 0 | 19kg | 0.065cbm |

*Please note all other components shown in the technical drawings are available separately.

ACCESSORIES AND RELATED PRODUCTS

BT7564



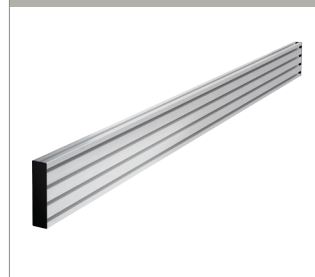
Interface Adaptor Arms for VESA 600 x 400 can be used with VESA 200 or 400 arms to increase the maximum vertical fixings to 600mm for larger screens

BT8390-WFK2



Wall Fixing Kits are used to fix mounting rails securely to the wall

BT8390-030/050/070/150/175/200



Mounting Rails can be attached to columns, walls or poles using System X components

BT8390-VESA400F



VESA 400 Interface Arms are designed to mount medium - large sized screens in a fixed vertical position to mounting rails

© 2015 B-Tech Av Mounts Professional Design & Manufacturing Ltd. All rights reserved.
 The information in this specification sheet reflects the current technical specifications at the time of print.
 We warrant the fit to the technical specifications and physical specifications without limitation. B-Tech Av Mounts Professional Design & Manufacturing Ltd.
 is not responsible for loss or damage caused by improper installation or mounting on unsuitable structures. Any reproduction or transmission or replication of any part of this
 specification is expressly prohibited, unless prior written permission has been granted by B-Tech Av Mounts Professional Design & Manufacturing Ltd. (B-Tech).
 SS-V1-BT8390-VESA400T-270317 European Trademark No.002741256-0027