



BT8390-VESA400MAP

SYSTEM X™

UNIVERSAL POP-OUT INTERFACE ARMS WITH MICRO-ADJUSTMENT

INSTALLATION GUIDE & PARTS LIST

This Pack Contains 1 Pair of Interface Arms

PLEASE KEEP THIS FOR FUTURE REFERENCE



FEATURES

- Universal pop-out interface arms designed for screens up to 50kg
- Suitable for screens with VESA® fixings: 200 x 200mm, 200 x 400mm, 400 x 400mm, 600mm x 400mm and 800 x 400mm
- Suitable for landscape or portrait mounting (minimum screen size is 39" when used in landscape orientation)
- Tool-less 8 point micro-adjustments including lateral adjustment for seamless alignment of the screen display
- Height adjustment +/- 10mm
- Depth adjustment +/- 7mm
- Push to open / push to close system provides quick and easy service access
- Safety screws help prevent unauthorised removal of screens
- Includes an optional pop-out prevention mechanism
- Simple hook-on installation with all mounting hardware included

Designed to be used in conjunction with B-Tech's System X range



CONTENTS

Installation Safety Notes.....	2
Parts List.....	4
Installation Notes.....	5
Installation Instructions.....	6
Typical Installation.....	14
Product Dimensions.....	15
B-Tech Contact Details.....	16

INSTALLATION TOOLS REQUIRED

Crosshead
screwdriver



B-TECH AUDIO VIDEO MOUNTS

www.btechavmounts.com

INSTALLATION SAFETY INSTRUCTIONS



CAUTION: These arms are intended for use only with the maximum weights indicated. Use with flat screens heavier than the maximum indicated may result in instability causing possible injury.

Do not attempt to install this product until all instructions and warnings have been read and properly understood. Please keep these instructions for future reference.

Please check carefully to make sure there are no missing or defective parts - defective parts must never be used. B-Tech International Limited, its distributors and dealers are not liable or responsible for damage or injury caused by improper installation, improper use or failure to observe these safety instructions. In such cases, all guarantees will expire.

General

B-Tech International Ltd recommends that a professional AV installer or other suitably qualified person install this product. Great care must always be taken during installation as most AV equipment is of a fragile nature, possibly heavy and easily damaged if dropped.

If you do not fully understand the instructions or are not sure how to install this product safely, then please consult a professional for advice and/or to install this product for you. Failure to mount this product correctly may cause serious injury or death both during installation and at any time thereafter.

Do not mount any AV equipment that exceeds the specific weight limit of the product you are installing.

This weight limit will be clearly stated on each product and its packaging and will vary from product to product.

Product location

Please pay careful attention to where this product is located. Check load capacity of wall prior to installation as some walls are not suitable for installation. Designed for indoor use, this mount is suitable for public or home installation. If located in a public or frequently populated area ensure that the product is out of the immediate reach of people. If any AV equipment is to be suspended over the likely path or location of people then great care should be taken to secure all parts of the installation from falling. If you install this product on drywall it must be securely fixed to a wooden stud, concrete block or other permanent structure behind the drywall board. Installing on drywall boards alone will not support the weight of most AV equipment.

When drilling holes in walls it is essential to avoid contact with electrical cables and water or gas pipes contained within. Use of a good quality live wire detector and hidden object locator is therefore recommended. Only drill into structures when you are sure it is safe to do so.

Fixing hardware

It is highly recommended that all wall fixing screws be used where supplied and that the purpose of all other fixing hardware is fully understood. In some cases more AV equipment fixing hardware will be supplied to accommodate different models of equipment and set up configurations.

The installer must be satisfied that any supplied fixing hardware is suitable for each specific installation. If any fixing screws or included hardware are deemed not sufficient for a safe installation then please consult a professional or your local hardware store.

Hazard limitation

When routing cables take advantage of any built in cable management features that the product might provide and ensure that all cables are tidy and secure. Check to see that any moving aspect of the product can do so unhindered by any cabling.

Some products have moving parts and the potential to cause injury through the crushing or trapping of fingers or other body parts.

Particular attention to the nature of moving parts is required especially when assembling installing and adjusting during set up.

Immediately after installations double-check that the work done is safe and secure. Double-check all necessary fixings are present and are of ample tightness.

It is recommended that periodic inspections of the product and its fixing points are made as frequently as possible to ensure that safety is maintained. If in doubt consult a professional AV installer or other suitably qualified person.

CS

Společnost B-Tech International Ltd. doporučuje provést instalaci tohoto produktu prostřednictvím odborného instalátora AV či jinak způsobilé osoby. Společnost B-Tech International Ltd, její distributoři a prodejci nenesou odpovědnost za škody nebo zranění způsobená nevhodnou instalací. Tento výrobek je nutno umístit do vhodné konstrukce a používat jen po uvedené maximální výšce.

DE

B-Tech International Ltd. empfiehlt, dass dieses Produkt durch einen qualifizierten AV-Techniker oder eine andere Person mit geeigneter Qualifikation installiert wird. B-Tech International Ltd, ihre Distributoren und Händler können nicht für durch fehlerhafte Montage verursachte Beschädigung oder Verletzung haftbar bzw. verantwortlich gemacht werden. Dieses Produkt muss auf eine geeignetem Untergrund montiert werden und darf nur bis zum angegebenen Höchstgewicht verwendet werden.

ES

B-Tech International Ltd. recomienda que un instalador de audio y vídeo profesional u otra persona debidamente cualificada instalen este producto. B-Tech International Ltd, sus distribuidores y concesionarios no se hacen cargo ni se responsabilizan de ningún daño o lesión provocados por una instalación inapropiada. Este producto se debe montar en una estructura adecuada y se debe utilizar soportando solamente hasta el peso máximo indicado.

FR

B-Tech International Ltd. recommande de confier l'installation de ce produit à un installateur AV professionnel ou à une autre personne dûment qualifiée. B-Tech International Ltd, ses distributeurs et ses revendeurs ne sauraient être tenus responsables de tout dégât ou de toute blessure résultant d'une installation incorrecte. Ce produit doit être monté sur un support approprié et utilisé dans la limite du poids maximum indiqué.

IT

B-Tech International Ltd. consiglia di affidare l'installazione di questo prodotto a un installatore specializzato o ad altra persona adeguatamente qualificata. B-Tech International Ltd, i suoi distributori e rivenditori non accettano alcuna responsabilità nei riguardi di eventuali danni o infortuni causati da un'errata installazione. Questo prodotto deve essere fissato a una struttura idonea e utilizzato unicamente sino al peso massimo indicato.

NL

B-Tech International Ltd. adviseert om dit product te laten installeren door een professionele AV-installateur of andere hiervoor gekwalificeerde persoon. B-Tech International Ltd, haar distributeurs en dealers zijn niet aansprakelijk of verantwoordelijk voor schade of letsel die is veroorzaakt door onoordeelkundige installatie. Dit product moet worden gemonteerd aan een geschikte constructie, waarbij het aangegeven maximum gewicht niet mag worden overschreden.

PL

Firma B-Tech International Ltd. zaleca, aby ten produkt był instalowany przez profesjonalnych instalatorów AV lub inny odpowiednio przeszkolony personel. Firma B-Tech International Ltd, jej dystrybutorzy i dealerzy nie ponoszą odpowiedzialności za uszkodzenia lub obrażenia ciała powstałe w wyniku nieprawidłowej instalacji. Niniejszy produkt musi być zamontowany na odpowiedniej powierzchni, a podczas użytkowania nie wolno przekraczać podanego maksymalnego obciążenia.

PT

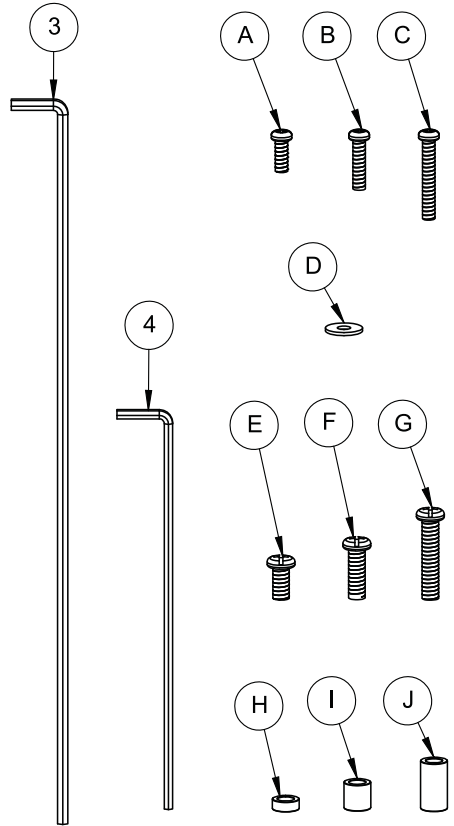
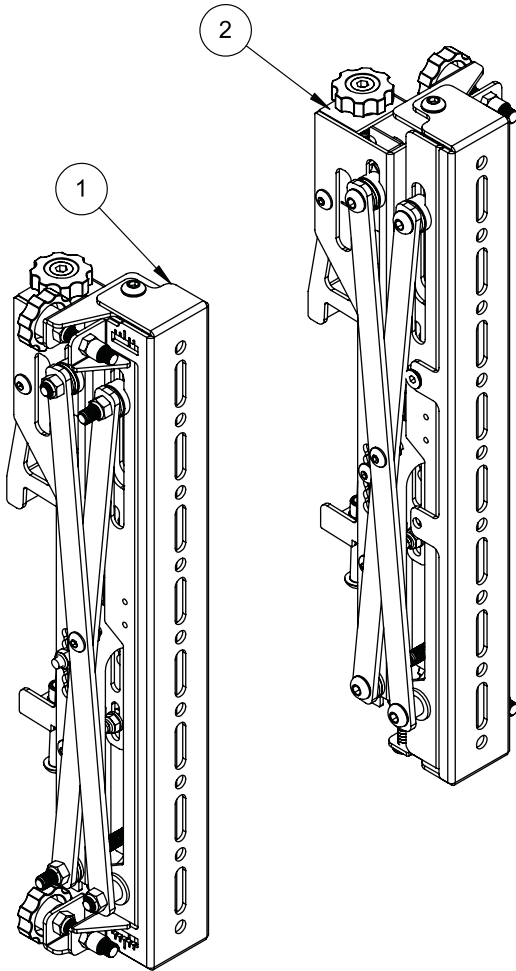
A B-Tech International Ltd. recomenda que a instalação deste produto seja efectuada por um instalador de AV profissional ou outra pessoa devidamente habilitada. A B-Tech International Ltd. e os seus distribuidores e concessionários não são responsáveis por danos ou lesões causados por uma instalação incorrecta. Este produto tem de ser montado numa estrutura adequada e utilizado somente até ao peso máximo indicado.

RU

Компания B-Tech International Ltd. рекомендует, чтобы установка данного изделия производилась инженером по установке аудио-видеотехники или другим специалистом с соответствующей квалификацией. Компания B-Tech International Ltd., ее дистрибьюторы и дилеры не несут ответственности за повреждения или травмы, полученные в результате неправильной установки. Данное изделие должно

توصي بي-تيك للتجارة الدولية المحدودة بأن شخص محترف في تركيب ال AV او شخص مؤهل تأهيلا مناسباً لتركيب هذا المنتج. بي-تيك للتجارة الدولية، موزعيها والتجار ليست عرضة أو مسؤولة عن الأضرار أو الإصابات الناجمة عن تركيب غير سليم، والاستخدام غير السليم أو عدم مراعاة هذه التعليمات للسلامة. يجب أن يتم تركيب هذا المنتج في بنية مناسبة ويجب استخدام فقط لدعم الحد الأقصى للوزن المشار إليه.

BT8390-VESA400MAP
PARTS LIST



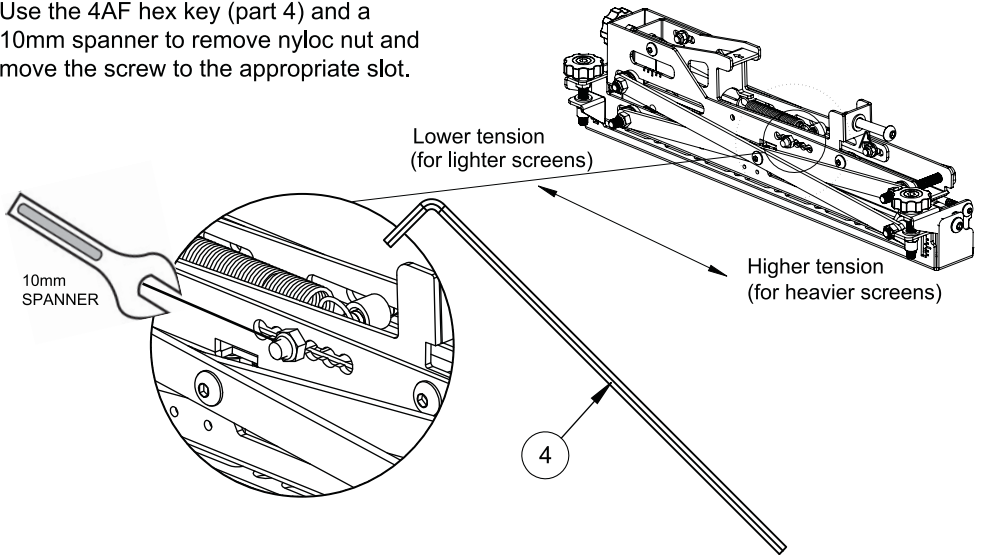
Suitable for loads
 up to 50kg

PLEASE KEEP THIS FOR FUTURE REFERENCE

REF	PART NAME	QTY
1	LEFT INTERFACE ARM	1
2	RIGHT INTERFACE ARM	1
3	5AF HEX KEY	1
4	4AF HEX KEY	1
INTERFACE KIT		
A	M6 x 16mm SCREW	4
B	M6 x 25mm SCREW	4
C	M6 x 40mm SCREW	4
D	WASHER	4
E	M8 x 16mm SCREW	4
F	M8 x 25mm SCREW	4
G	M8 x 40mm SCREW	4
H	5mm SPACER	4
I	13mm SPACER	4
J	24mm SPACER	4

SPRING TENSION ADJUSTMENT (OPTIONAL)

Use the 4AF hex key (part 4) and a 10mm spanner to remove nyloc nut and move the screw to the appropriate slot.

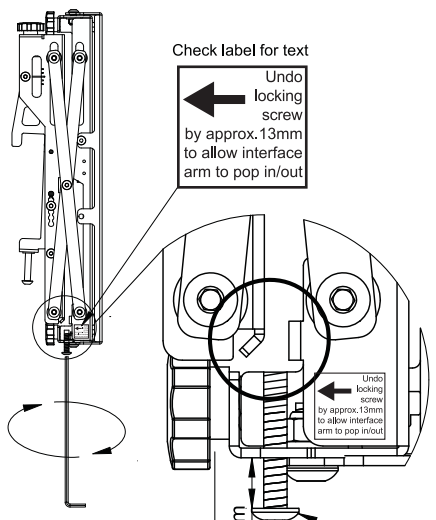
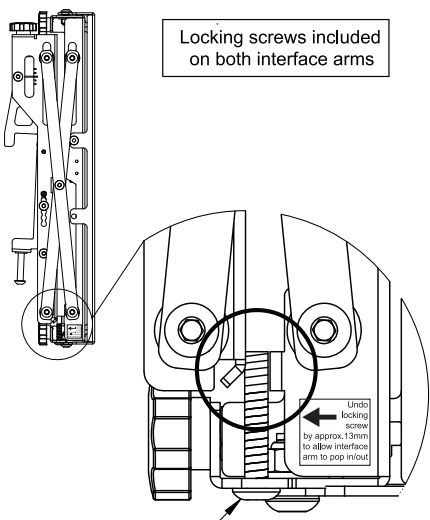


INSTALLATION NOTES

Unlocking arms to allow pop-out function.

Locked position

Unlocked position



Locking screw in locked position

Locking screw in unlocked position

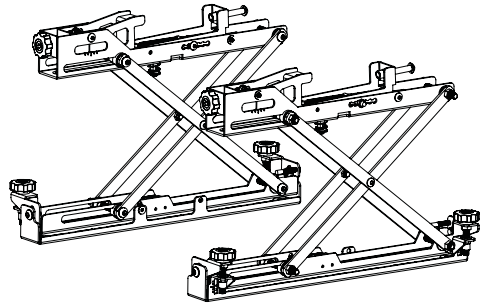
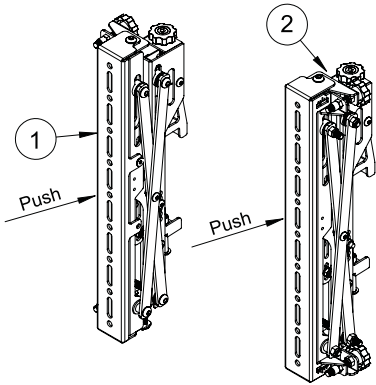
INSTALLATION INSTRUCTIONS

1

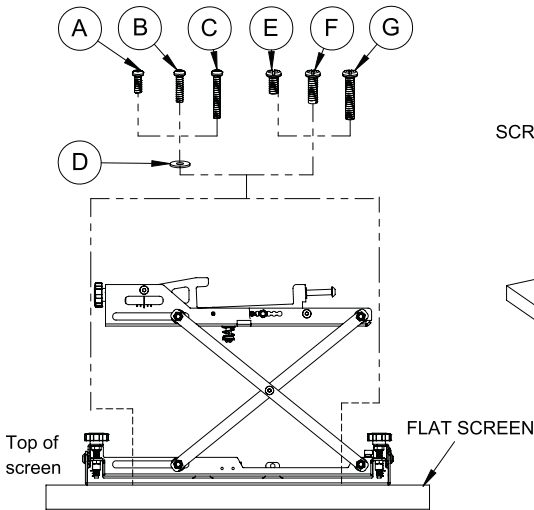
Pop out interface arms

i) Push in on both arms to pop out into open position.

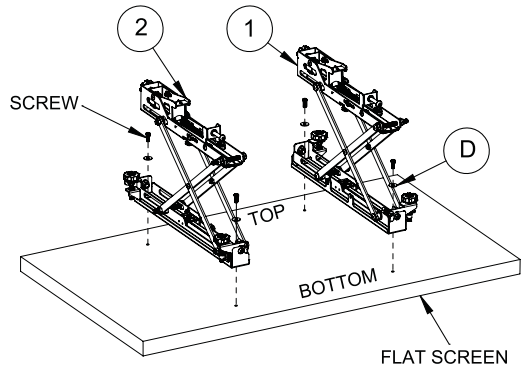
Ensure locking screw is in the unlocked position on both interface arms (see page 5).



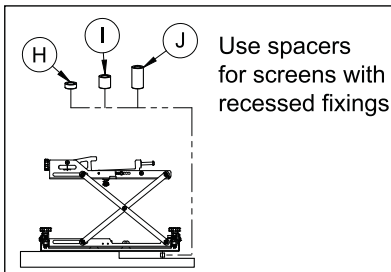
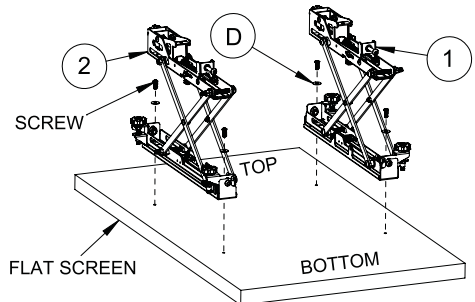
ii) Fix interface arms to screen.



Landscape Orientation



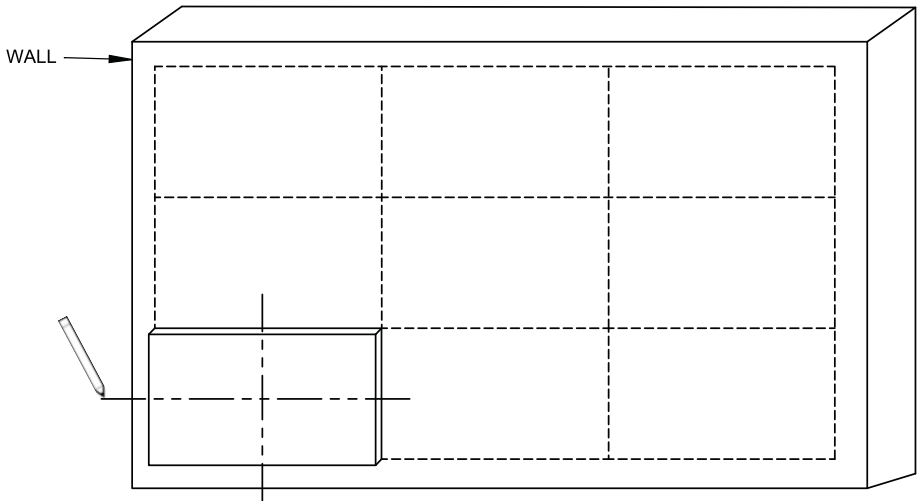
Portrait Orientation



2

Installing the mount

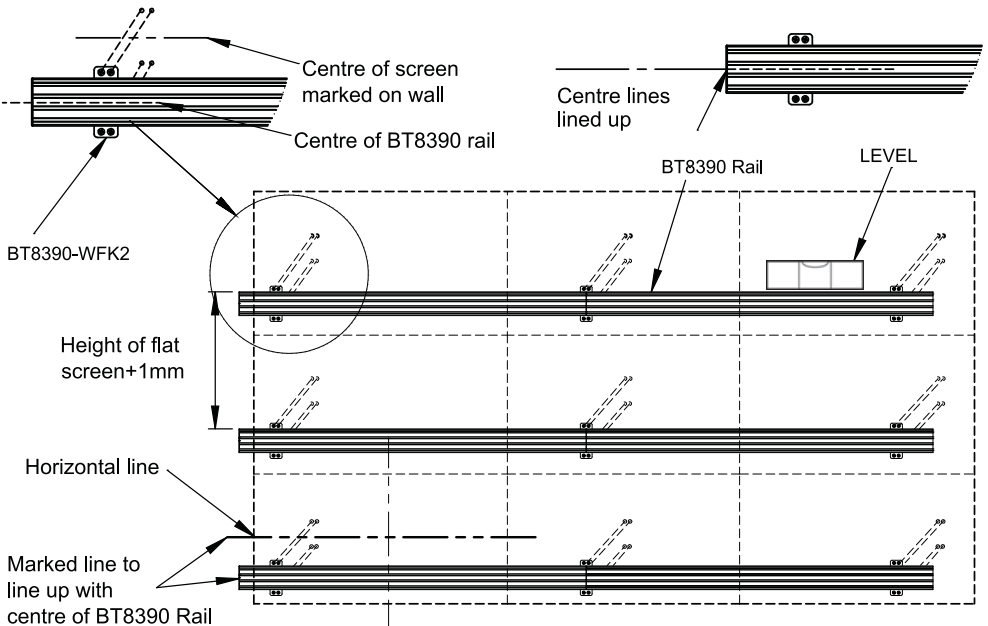
- i) Determine the centre of the first flat screen at the bottom left. Mark the centre, for the centre of the rail.



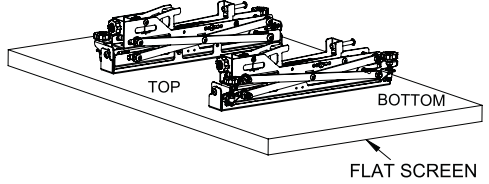
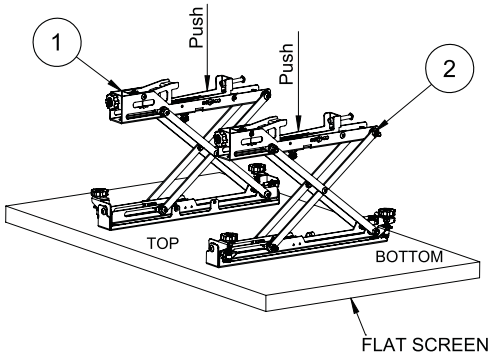
- ii) Fix the BT8390 rail to the wall (use horizontal line as a guide) using BT8390-WFK2's (BT8390 rail & BT8390-WFK2 not included).

Lining up rail to fix to wall

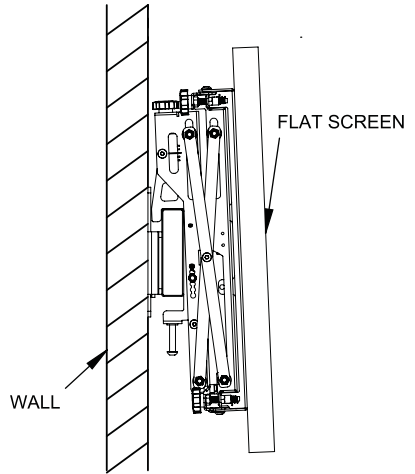
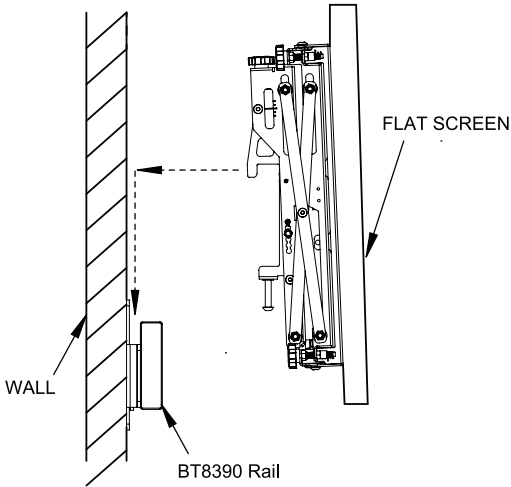
Lined up when fixed to wall



iii) Close the interface arms.

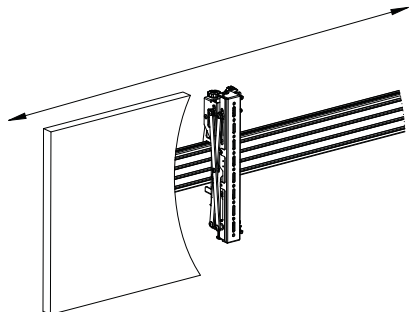
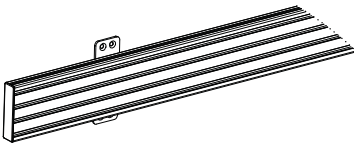


iv) Hook flat screen onto the BT8390 rail.
Start at the bottom left screen position.



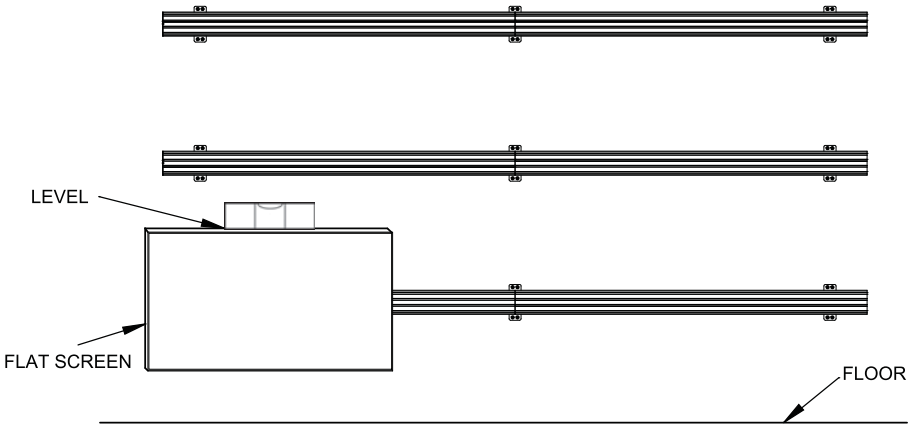
Lateral Adjustment

Slide arms along the rail to laterally adjust.

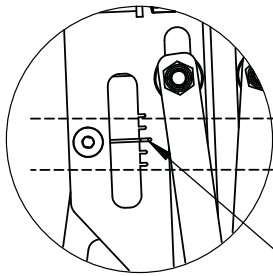


Flat screen alignment

- v) Check the horizontal centre of the flat screen is aligned with the horizontal centre of the BT8390 rail.



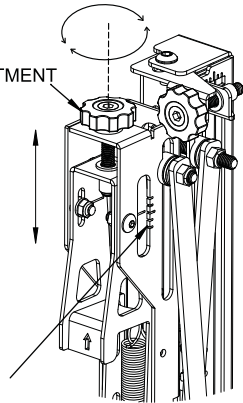
Using a level, align the flat screen parallel to the floor using the height adjustment knobs.



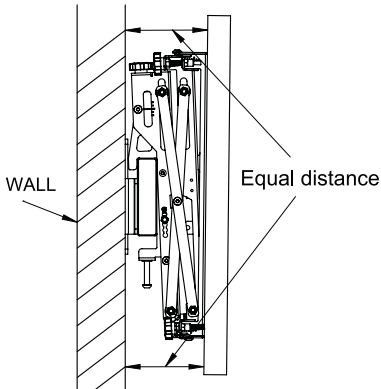
Do not adjust height past the min and max guide lines

Adjustment guides to help with accurate screen alignment

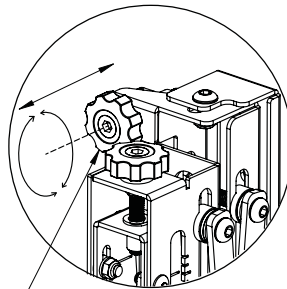
HEIGHT ADJUSTMENT KNOB



Use the depth adjustment knobs to ensure that each corner of the flat screen is equidistant from the wall.

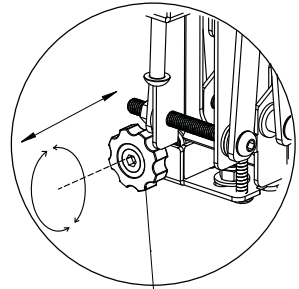


Top of interface arm



DEPTH ADJUSTMENT KNOB

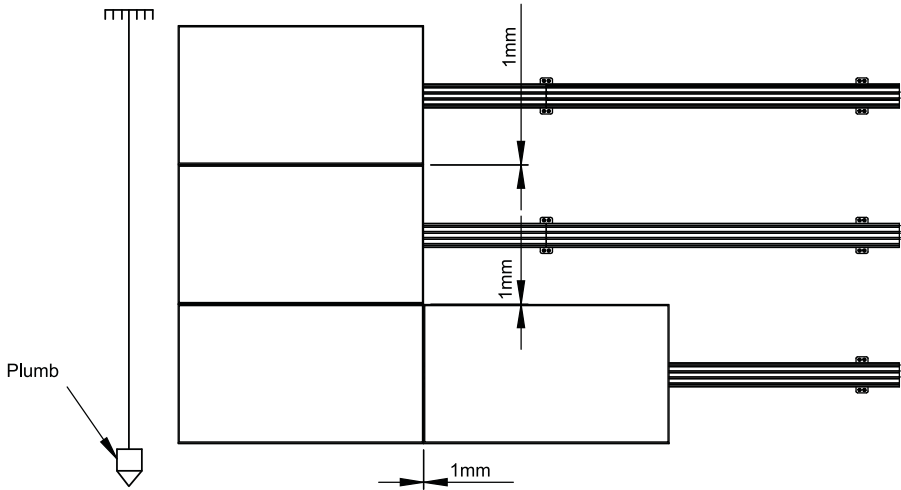
Bottom of interface arm



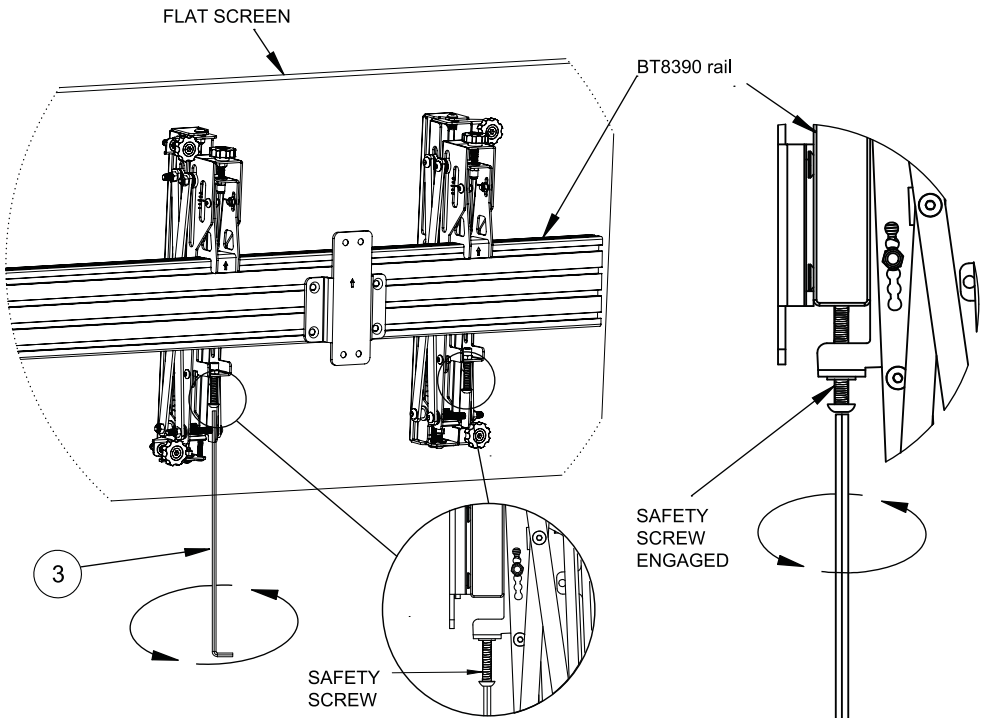
DEPTH ADJUSTMENT KNOB

Flat screen alignment

- vi) Use a plumb to align the first column of flat screens and leave at least 1mm gap between them.
Hook on the remaining flat screens leaving at least 1mm between them.
Use the height adjustment knobs and lateral movement to align screens.



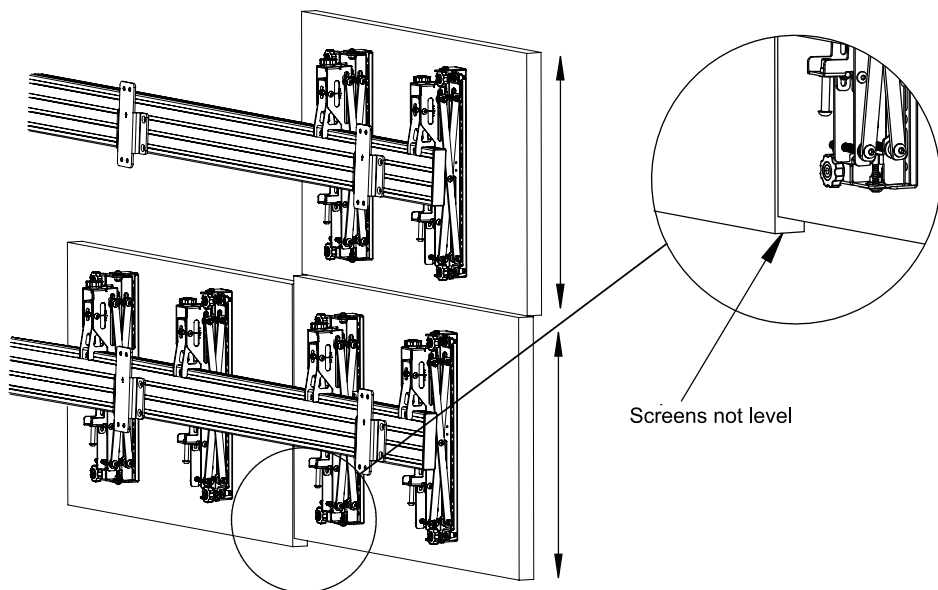
- vii) Secure interface arms to the BT8390 rail using the safety screws on the interface arms.



3

Screen levelling height adjustment

Use height adjustment knobs to level screens.

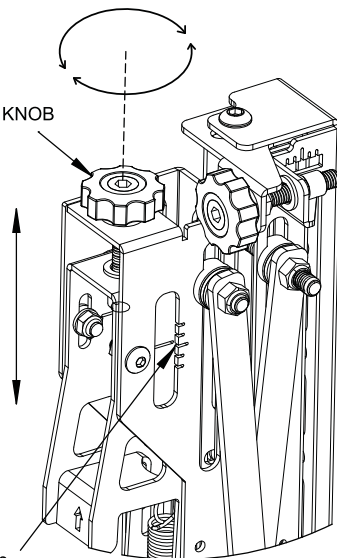
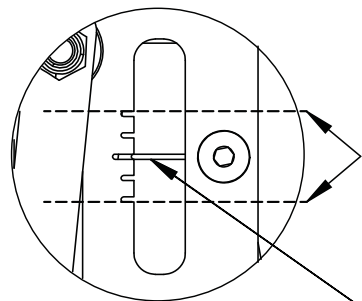


Note: Height adjustment knobs are also compatible with a 6mm allen key (not supplied)

HEIGHT ADJUSTMENT KNOB

Do not adjust height past the min and max guide lines

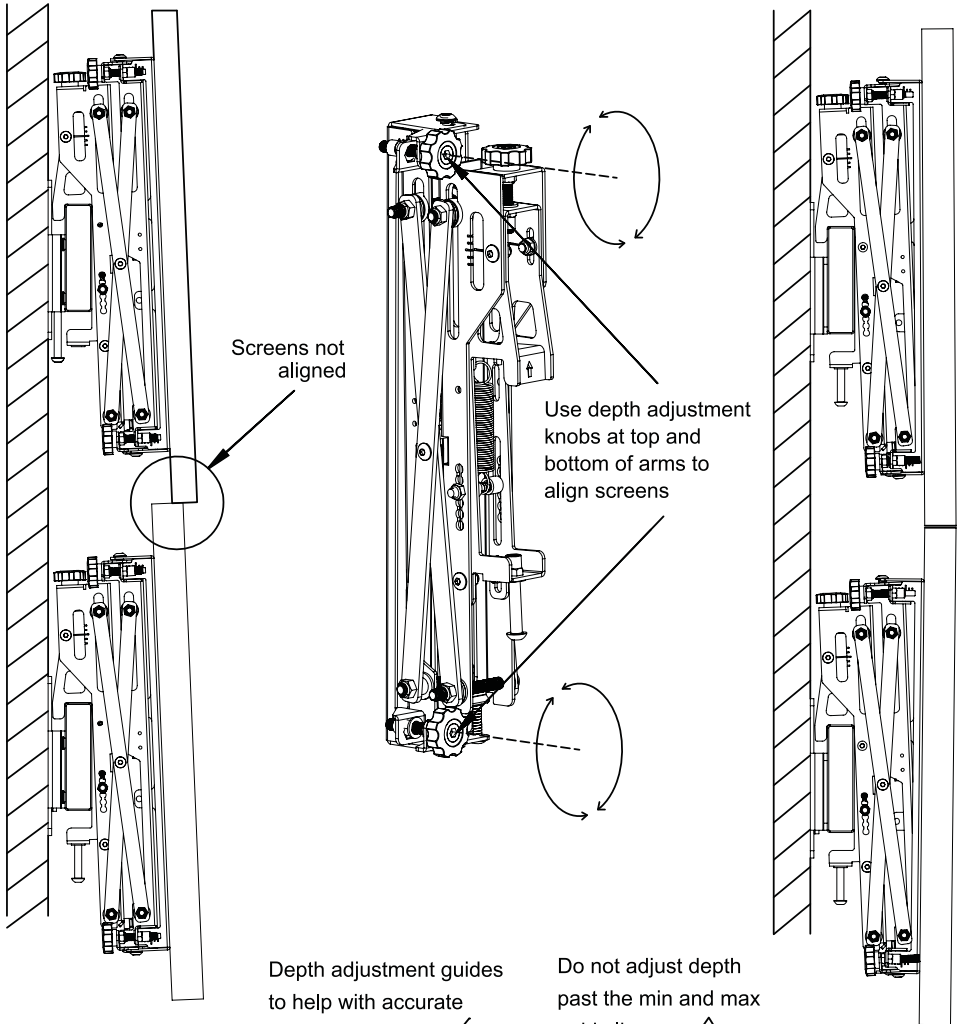
Adjustment guides to help with accurate screen alignment



4

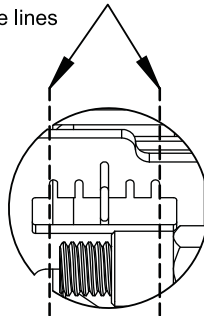
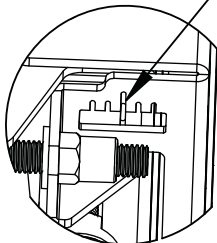
Screen depth adjustment

Use the depth adjustment knobs to ensure that each corner of the flat screen is equidistant from the wall.



Depth adjustment guides to help with accurate screen alignment

Do not adjust depth past the min and max guide lines



5

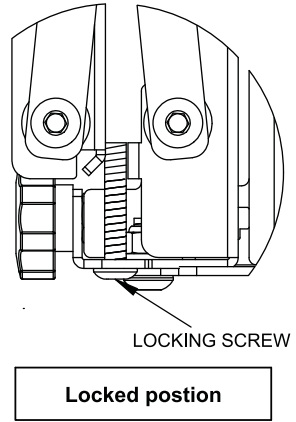
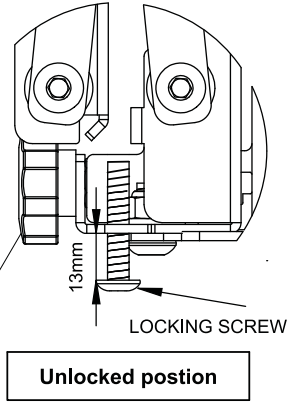
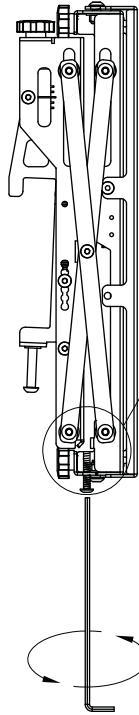
Disabling the pop-out function (optional)

To prevent the mount from being able to pop-out, tighten the locking screw at the bottom of both the interface arms.

Note: The pop-out prevention locking screws must be wound in fully when the interface arms are closed to prevent them from popping out.

Important: Do not insert the locking screws into the locked position when the interface arms are popped out.

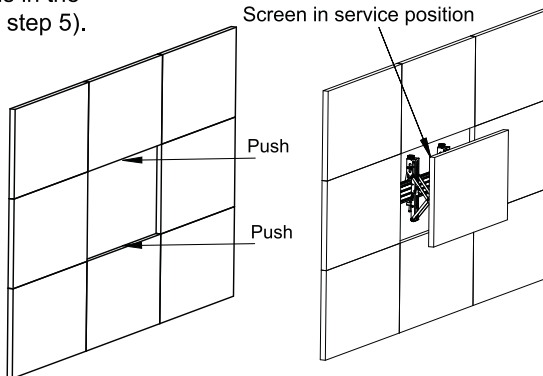
Locking screw on both arms



Servicing the flat screen

Ensure the locking screw is in the unlocked position (refer to step 5).

Push central at the top and bottom of the screen on the bezel to release the screen.

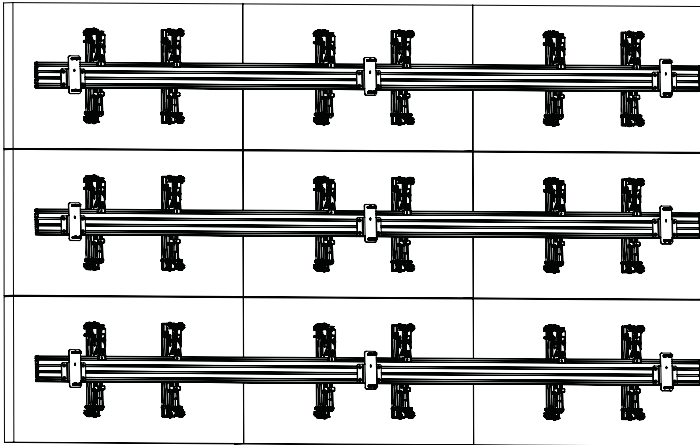


When serviced push screen back and click into place.

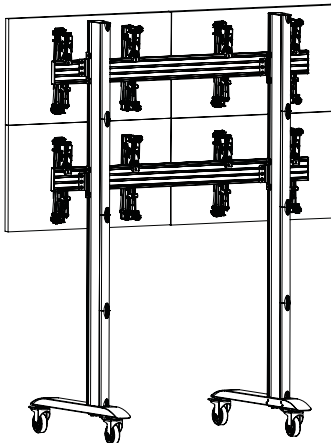
Important: Be careful not to damage the screen when pushing. Keep hold of the screen as it moves outwards.

TYPICAL INSTALLATIONS

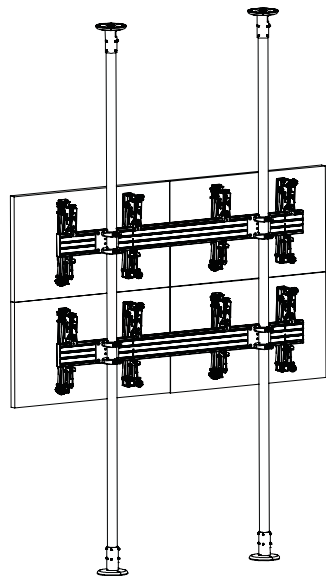
Wall mounted
(rear view)



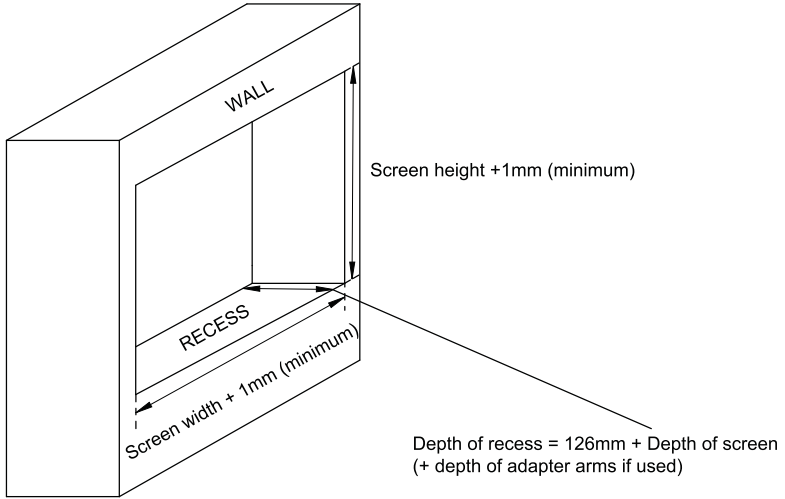
Trolley mounted
(rear view)



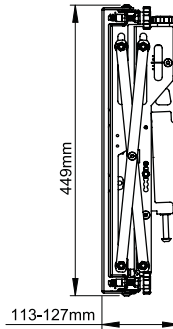
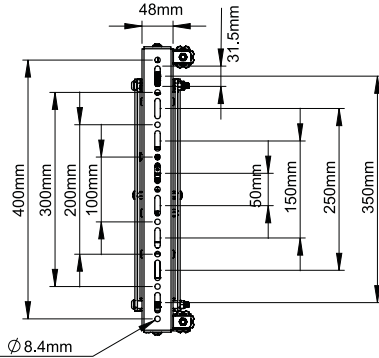
Floor to ceiling mounted
(rear view)



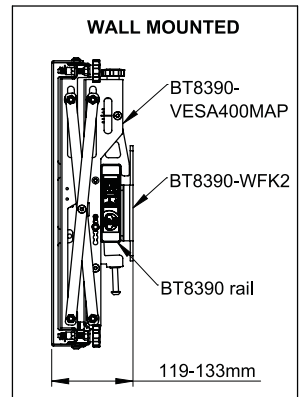
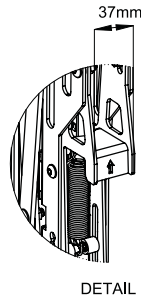
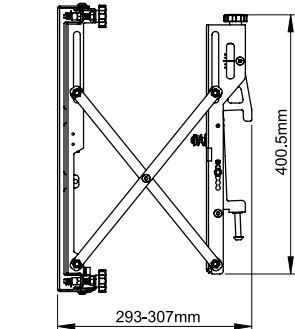
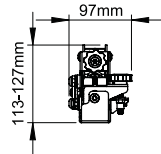
RECESS MOUNTING



BT8390-VESA400MAP PRODUCT DIMENSIONS



Height adjustment +/- 10mm
Depth adjustment +/- 7mm



THESE INSTRUCTIONS ARE INTENDED AS A GUIDE ONLY AND B-TECH ACCEPTS NO LIABILITY FOR THE ACCURACY OF THE INFORMATION CONTAINED IN THIS DOCUMENT.



www.btechavmounts.com

B-TECH AUDIO VIDEO MOUNTS

HEAD OFFICE

B-Tech International Limited

Bennett House, Long March, Daventry, Northants., NN11 4NR, UK

Email: info@btechavmounts.com

©2016 B-Tech International Limited. All rights reserved.

B-Tech Audio Video Mounts is a division of B-Tech International Limited.

B-Tech, Better By Design & System X are registered trademarks of B-Tech International Limited.

All other brands and product names are trademarks of their respective owners.

Photographs are for illustrative purposes only. E&OE.

AMA-BT8390-VESA400MAP-V1-0816-110 MADE IN VIETNAM