

Universal Projector Ceiling Mount

For more information please visit www.btechavmounts.com/BT881

BT881



BT881 Universal Projector Ceiling Mount

Designed for LCD/LED/DLP Projectors
up to 10kg (22lbs)

- Mounts projector only 115mm (4.5") from ceiling or 280mm (11") with supplied extension rod
- Features +/-90° tilt, +/-90° roll and 360° swivel
- Unique 'Carousel' mounting plate for universal compatibility
- Coverplates included for smart installation
- Easy to adjust and fix projector in position
- Steel safety wire for extra security
- Maximum distance between any two fixing points on projector: 340mm (13.4")
- Suitable for projectors with M2.5, M3, M4, M5 and M6 fixings
- Simple installation with all mounting hardware included
- Available in Black, White and Silver



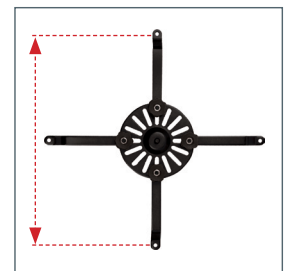
'Carousel' mounting plate for universal compatibility



Mounts projector 115mm (4.5") or 280mm (11") from ceiling



Ball joint adjustment for easy positioning of projector

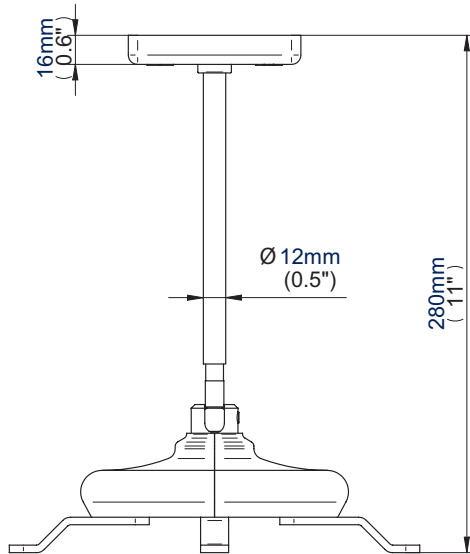


Maximum distance between any two fixing points: 340mm (13.4")

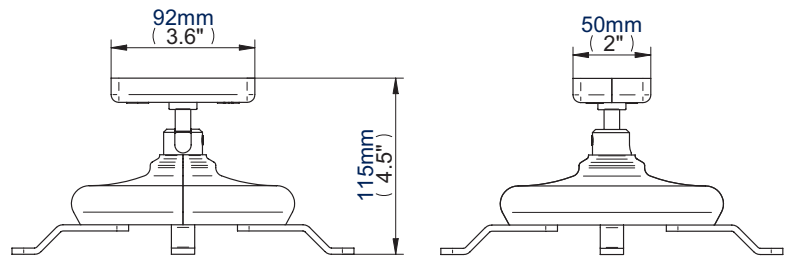
Universal Projector Ceiling Mount

For more information please visit www.btechavmounts.com/BT881

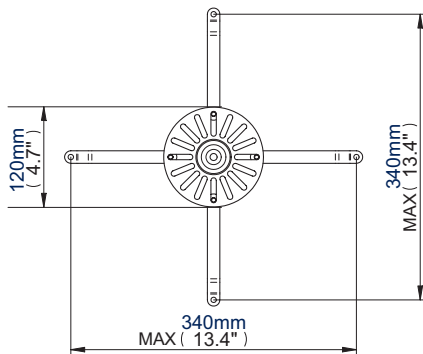
BT881



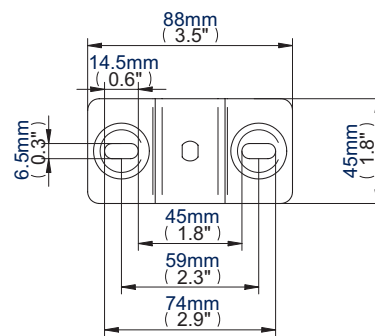
Side View - With Long Extension Rod



Side View - With Short Extension Rod



Interface



Ceiling Plate

Colour:	Order Ref:	EAN Code:	Master Carton Qty:	Inner Carton Qty:	Master Carton Weight:	Master Carton Cube:
Black	BT881/B	5019318088872	8	2	14.4kg (31.68lbs)	0.047cbm (1.65cuft)
Silver	BT881/S	5019318088810	8	2	14.4kg (31.68lbs)	0.047cbm (1.65cuft)
White	BT881/W	5019318088841	8	2	14.4kg (31.68lbs)	0.047cbm (1.65cuft)

This information is intended as a guide only and reflects the current specification at the time of print. B-Tech accepts no liability for the accuracy of the information contained in this document.