



B-TECH AV MOUNTS™

**EASY
TORSION-TILT
SYSTEM**

BT8432

UNIVERSAL FLAT SCREEN WALL MOUNT WITH TILT



Designed to mount large to extra-large sized screens, the BT8432 is a flat screen wall mount that features a unique 'Torsion-Tilt' mechanism which allows easy tilt adjustment of the screen up to +/-15°. Also suitable for pole mounting using B-Tech's Accessory Collars, the BT8432 features levelling screws to adjust the screen level post installation as well as locking screws which help prevent unauthorised removal of the screen.

SPECIFICATION

Recommended screen size	49" - 80"
Max load	70kg*
VESA® compatibility	up to 600 x 400
Universal fixings	up to 677mm x 400mm
Tilt adjustment	+/-15°
Distance from wall (flat)	81mm
Distance from wall (full tilt)	148mm
Colour	Black

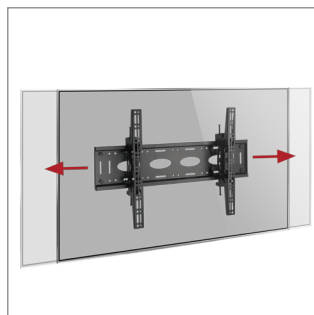
*Please note the maximum load is reduced to 50kg when pole mounted

FEATURES

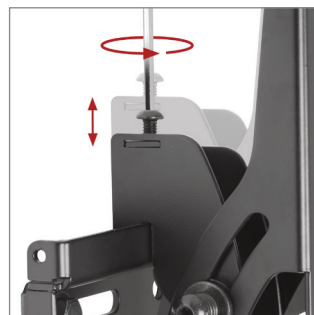
- Unique 'Torsion-Tilt' mechanism for easy tilt adjustment
- Post installation screen alignment for perfect screen positioning
- Compatible with B-Tech's collar and pole system for pole mounting screens
- Arms feature levelling screws to adjust the screen height
- Safety screws help prevent unauthorised removal of screens
- Simple 'hook-on' installation
- All mounting hardware included



Unique 'Torsion-Tilt' mechanism allows for easy tilt adjustment up to +/-15°



Post installation lateral screen alignment for perfect screen positioning

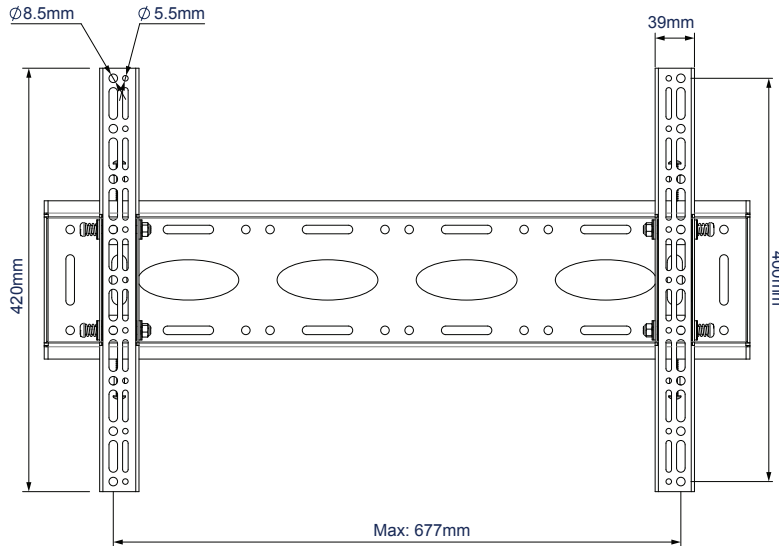


Arms feature levelling screws to adjust the screen height once mounted

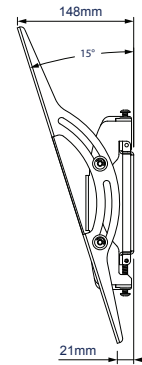
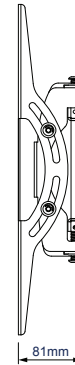
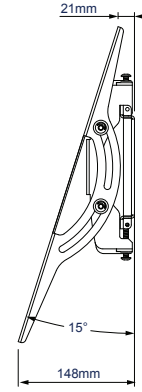


Security locking screws and Allen key provided for a secure installation

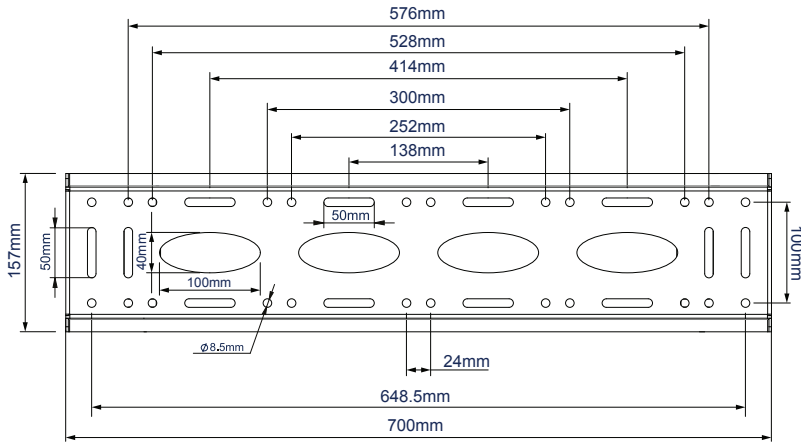




FRONT VIEW



SIDE VIEWS



WALL PLATE - FRONT VIEW

PACKING INFORMATION

COLOUR:	ORDER REF:	EAN CODE:	MASTER CARTON QTY:	INNER CARTON QTY:	MASTER CARTON WEIGHT:	MASTER CARTON CUBE:
Black	BT8432/B	5019318084294	2	0	10.9kg	0.038cbm

ACCESSORIES AND RELATED PRODUCTS



BT8220
Ultra-Slim Universal Flat Screen Wall Mount for screens up to 80"



BT7822
Heavy Duty Floor / Ceiling Mount
Can be used in conjunction with B-Tech poles and collars to create pole mounted solutions



BT7850
50mm Diameter Poles are available in a choice of 6 lengths and can be used to create multiple pole mounted solutions



BT7841
50mm Accessory Collars can be fixed to the BT8432 to allow the mount to be attached to a pole

© 2016 B-Tech International Pty Ltd. All rights reserved. The information in this specification is subject to change without notice. B-Tech International Pty Ltd. is not responsible for any damage caused by improper or unauthorized installation, use, or repair of any part of this specification. B-Tech International Pty Ltd. is not responsible for any damage caused by improper or unauthorized installation, use, or repair of any part of this specification. B-Tech International Pty Ltd. is not responsible for any damage caused by improper or unauthorized installation, use, or repair of any part of this specification. B-Tech International Pty Ltd. is not responsible for any damage caused by improper or unauthorized installation, use, or repair of any part of this specification.