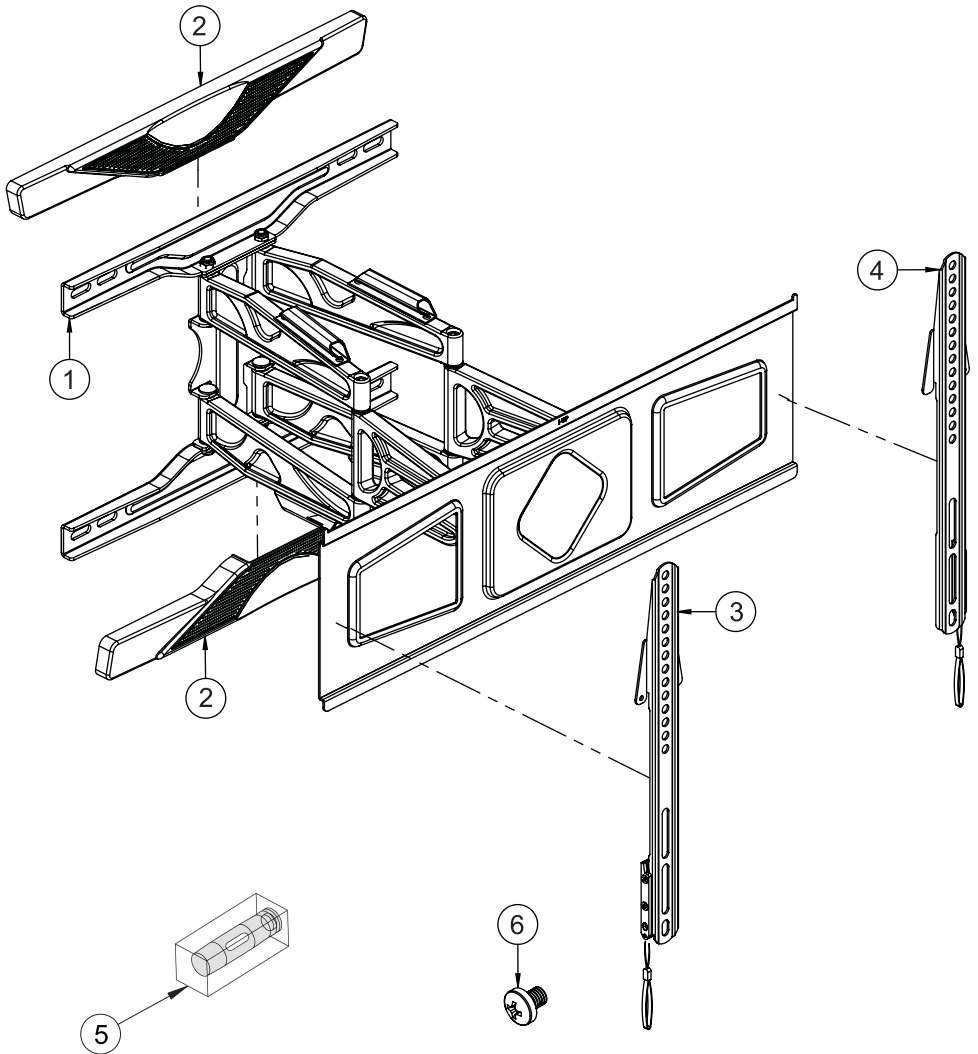


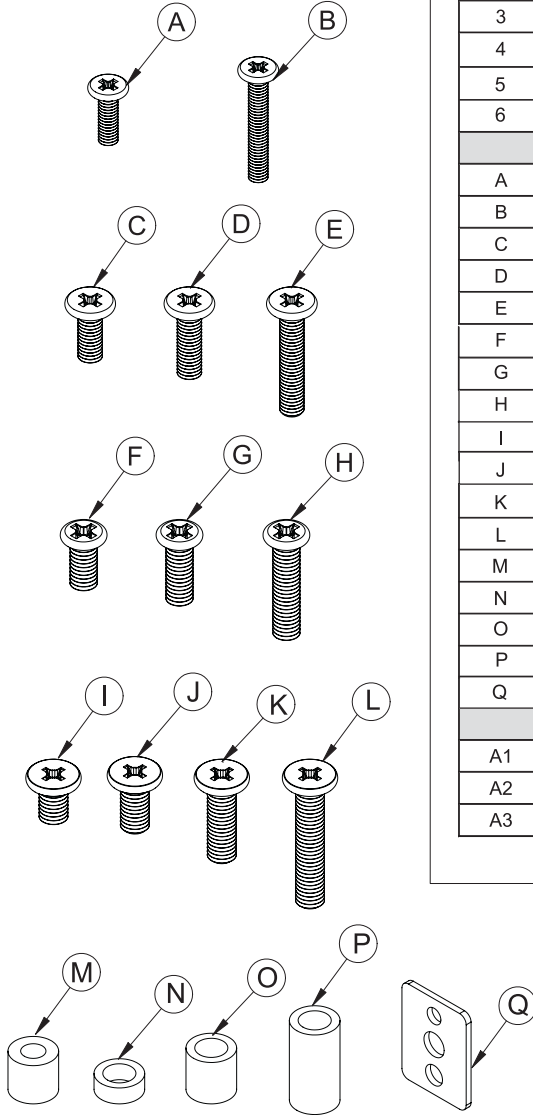
**BT8225
PARTS LIST**



Suitable for loads
up to
45kg (100lbs)

FLAT SCREEN INTERFACE KIT

(FOR ATTACHING MOUNT TO BACK OF FLAT SCREEN)



REF	PART NAME	QTY
1	WALL MOUNT	1
2	WALL PLATE COVER	2
3	LEFT INTERFACE ARM	1
4	RIGHT INTERFACE ARM	1
5	MAGNETIC SPIRIT LEVEL	1
6	M6 x 6mm SCREW	2

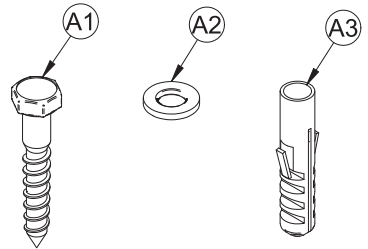
INTERFACE KIT

A	M4 x 12mm SCREW	4
B	M4 x 25mm SCREW	4
C	M5 x 12mm SCREW	4
D	M5 x 16mm SCREW	4
E	M5 x 25mm SCREW	4
F	M6 x 12mm SCREW	4
G	M6 x 16mm SCREW	4
H	M6 x 25mm SCREW	4
I	M8 x 12mm SCREW	4
J	M8 x 16mm SCREW	4
K	M8 x 25mm SCREW	4
L	M8 x 40mm SCREW	4
M	M6 x 12mm SPACER	4
N	M8 x 5mm SPACER	4
O	M8 x 13mm SPACER	4
P	M8 x 25mm SPACER	4
Q	MULTI-HOLE WASHER (FOR M4, M5, M6 SCREWS)	4

WALL FIXING KIT

A1	M8 x 70mm COACH SCREW	4
A2	M8 WASHER (FOR PART A1)	4
A3	WALL PLUG (FOR PART A1)	4

WALL FIXING KIT (FOR FIXING MOUNT TO WALL)



PLEASE KEEP THIS FOR FUTURE REFERENCE

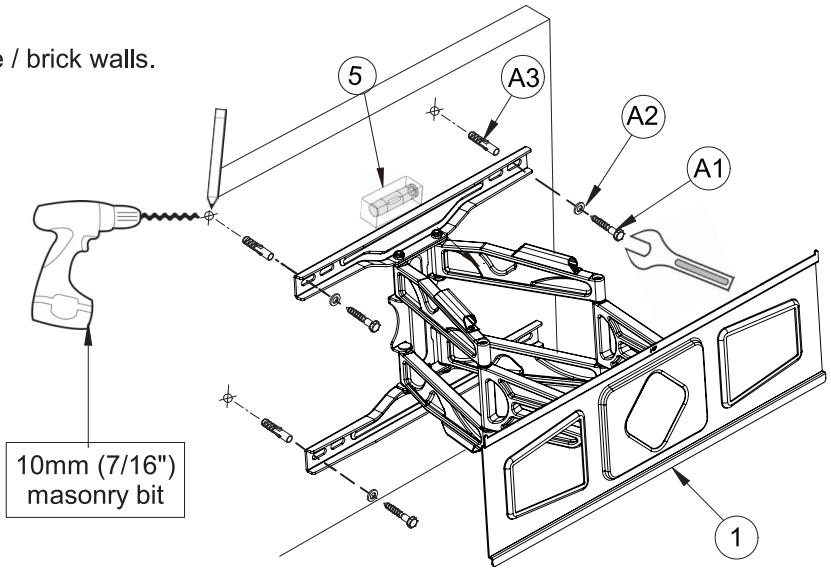
INSTALLATION INSTRUCTIONS

1

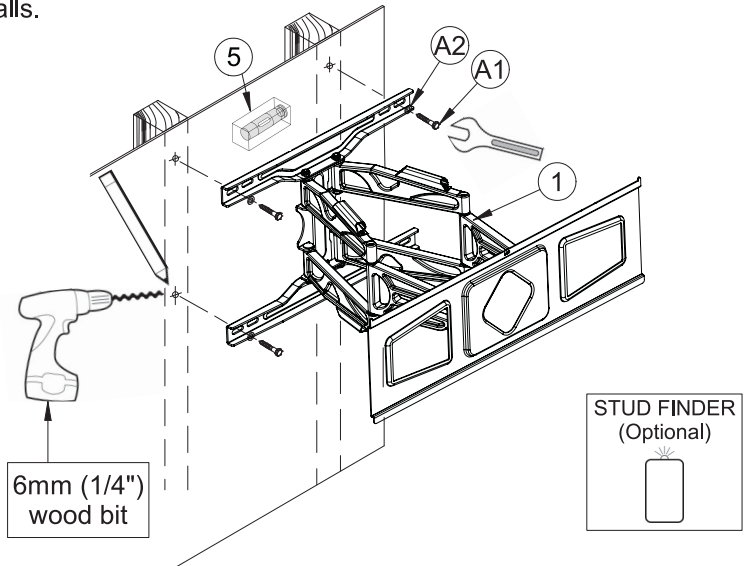
Fix wall plate to the wall using one of the following methods.

Use magnetic spirit bubble (part 5) to help ensure a level wall plate

i. Concrete / brick walls.



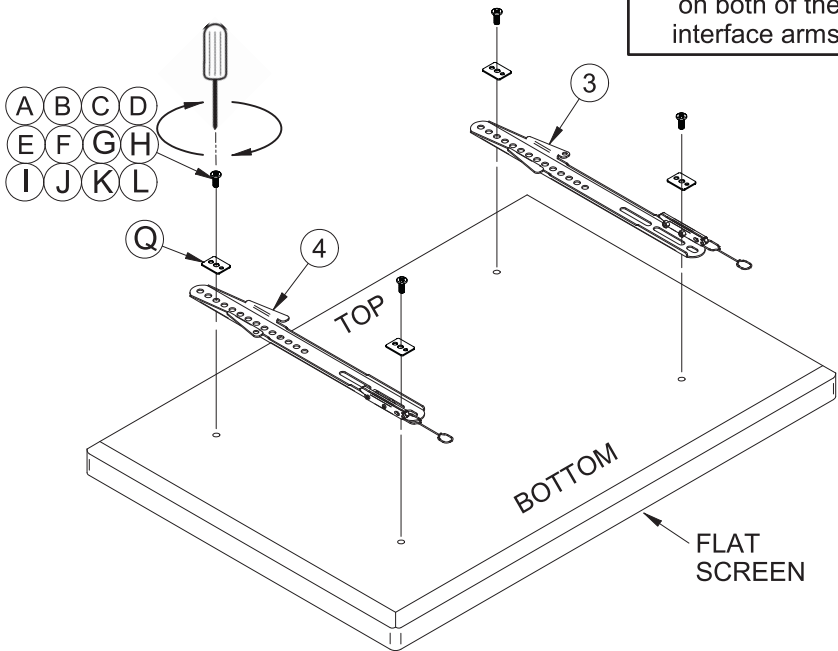
ii. Wood / stud walls.



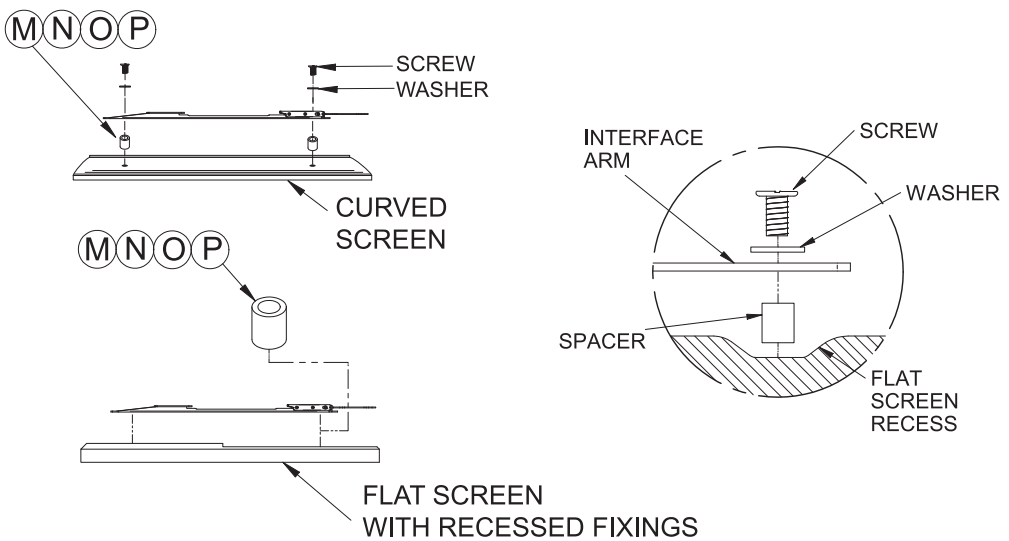
2

Attach the interface arms to the flat screen.

NOTE: Ensure the same holes are used on both of the interface arms.

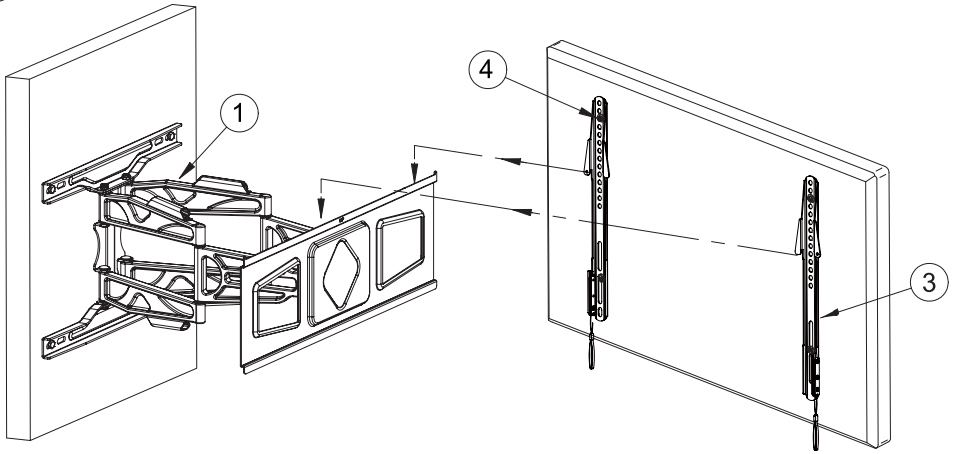


USE SPACERS FOR CURVED SCREENS OR SCREENS WITH RECESSED FIXINGS

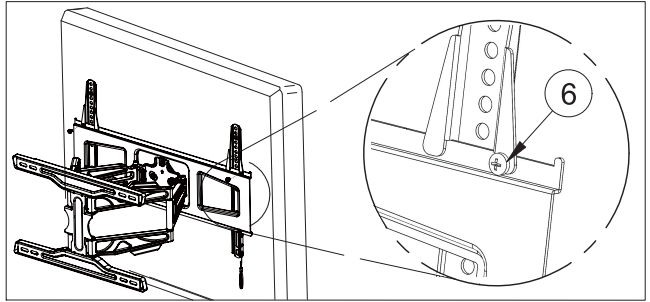


3

Hook the screen with interface arms onto the mount.



Fit M6 x 6mm screws (Part 6) onto the interface arms (Parts 3 & 4) as shown to prevent the screen from laterally shifting.



Secure the interface arms to the mount using the locking tabs on both interface arms.

