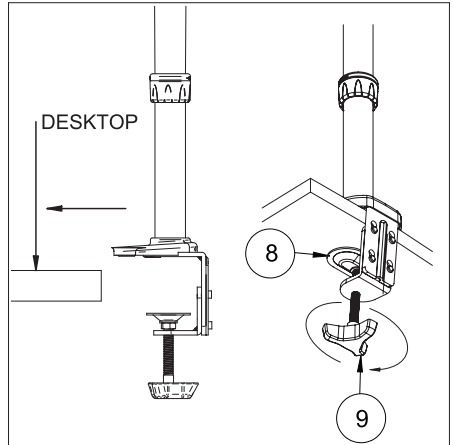
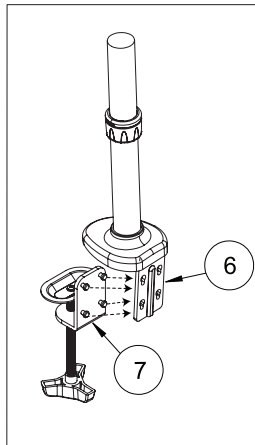
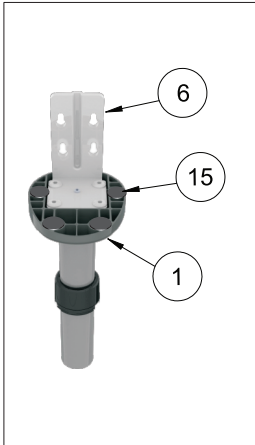


# INSTALLATION INSTRUCTIONS

## 1 A

### Desk Clamp

- i. Attach the foam pads (Parts 15) to the underside of the clamp base (Part 1).
- ii. Hook clamp plate (Part 7) onto clamp connection plate (Part 6).
- iii. Place desk clamp over desk and tighten the handwheel (Part 9).

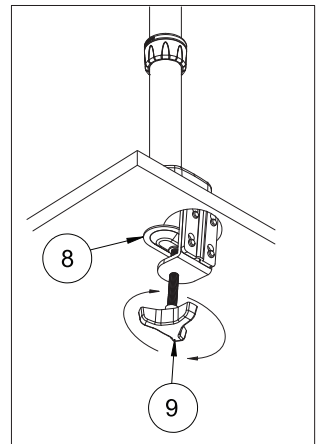
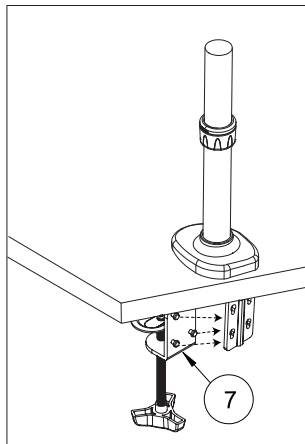
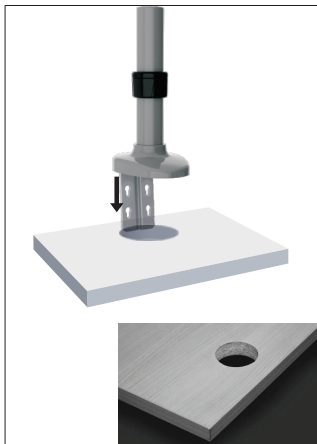


## 1 B

### Grommet Clamp

Attach the foam pads (Parts 15) to the underside of the clamp base (see Step 1a i.)

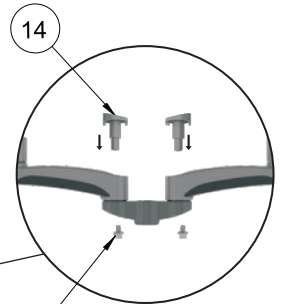
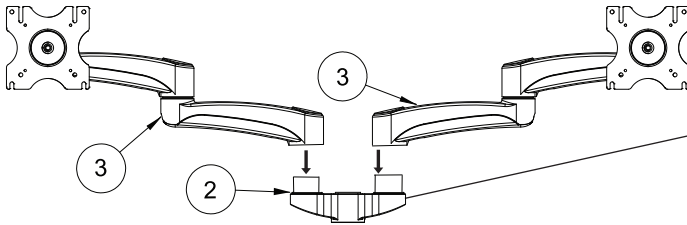
- i. Insert clamp connection plate (Part 6) into the cable management hole on desk top.
- ii. Hook clamp plate (Part 7) onto clamp connection plate (Part 6).
- iii. Tighten handwheel (Part 9) to clamp mount to the desk.



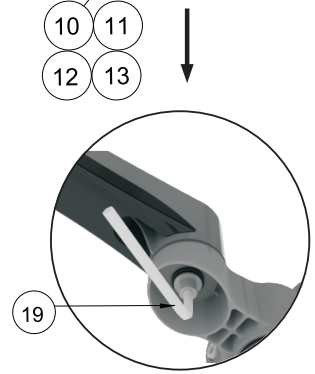
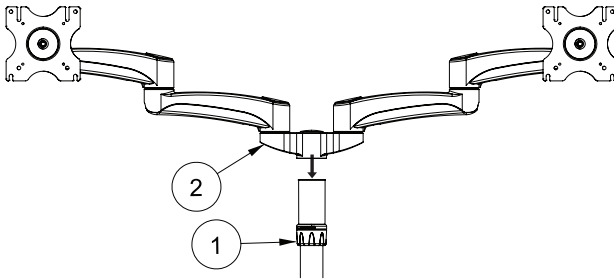
## 2

### Assembling Interface Arms

- i. Connect both interface arms (Part 3) to the twin arm connector (Part 2) using the M6 hex screw and washers (Parts 10, 11, 12 & 13).



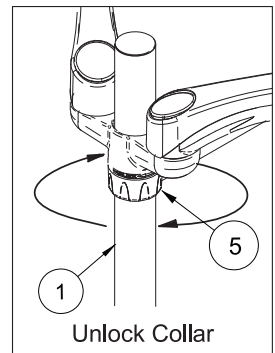
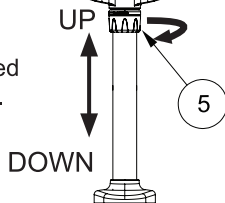
- ii. Slide connector (Part 2) onto pole (Part 1).



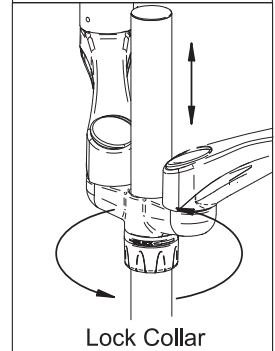
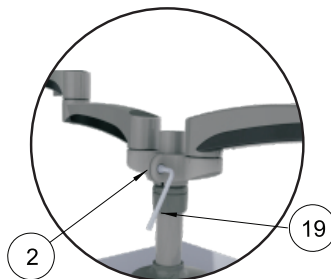
## 3

### Fixing the Height of Interface Arms on Pole

- i. Height Adjustment.  
Loosen collar (Part 5) and position at preferred height on pole (Part 1).



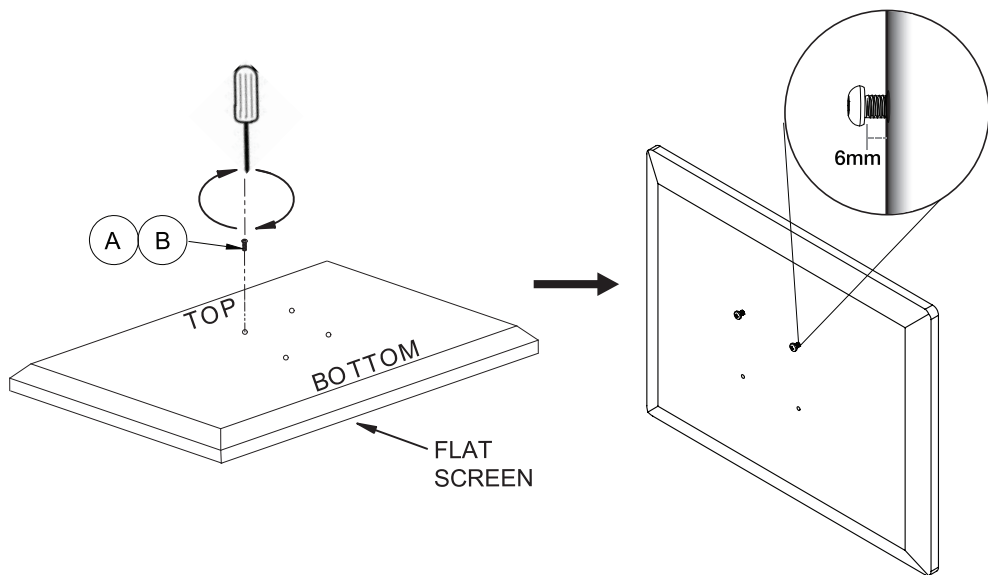
- ii. Secure twin arm connector (part 2) to pole.



# 4

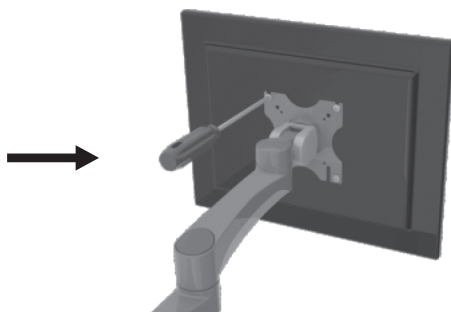
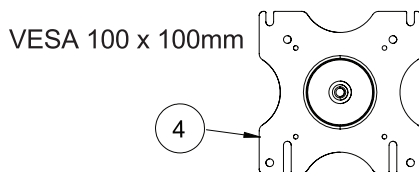
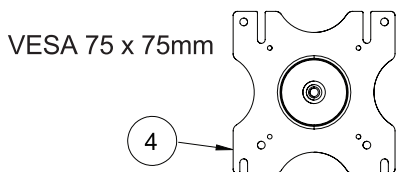
## Mounting Screen to Interface Plate

- i. Insert half-way, 2 screws from the interface kit into the top fixing holes of the screen.



- ii. Hook screen onto interface plate (Part 4), add bottom two screws and then tighten all screws.

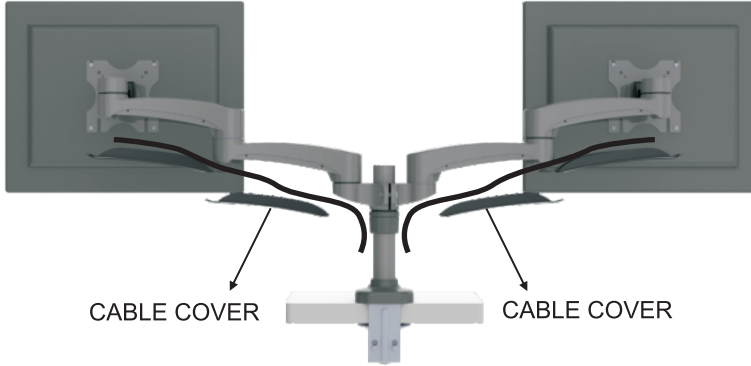
### SCREEN INTERFACE PLATE (PART 4) POSITION



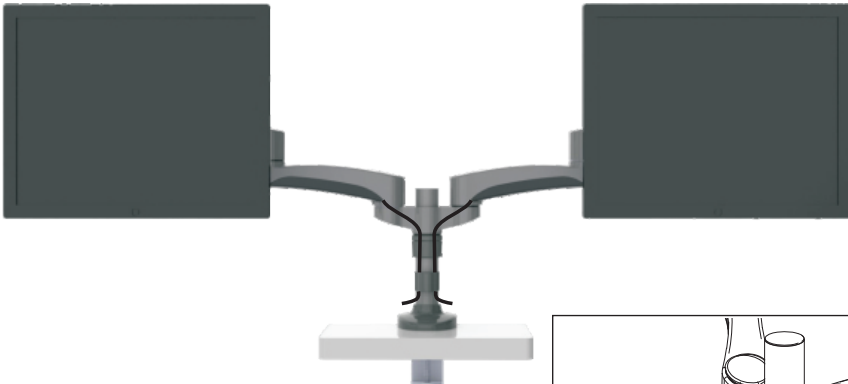
REPEAT STEP FOR  
OTHER FLAT SCREEN

- i. Remove cable covers from underneath the interface arms and insert cables before re-attaching the covers.

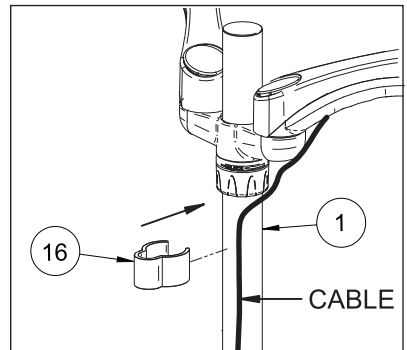
**⚠ WARNING:**  
Ensure articulating arms are fully extended before connecting cables.



- ii. Use cable clip (Part 16) to attach cables to pole.



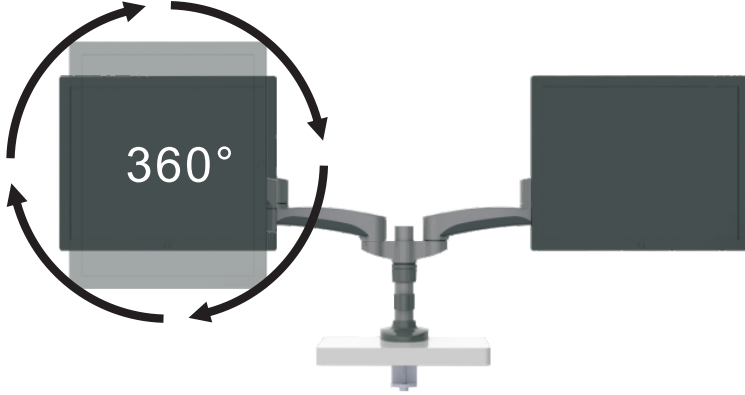
**CAUTION:** Ensure there is adequate cable slack for movement of the screen, and that cables will not be pinched when the mount is closed.



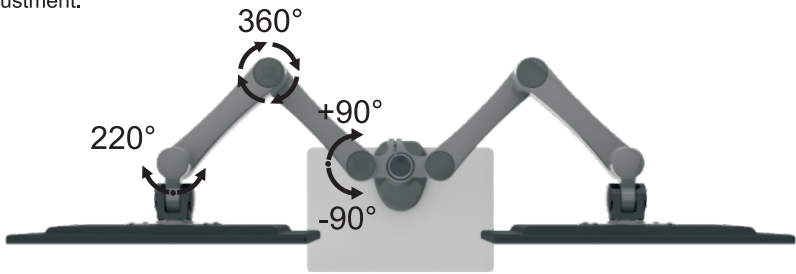
# 6

## Adjusting the Resistance

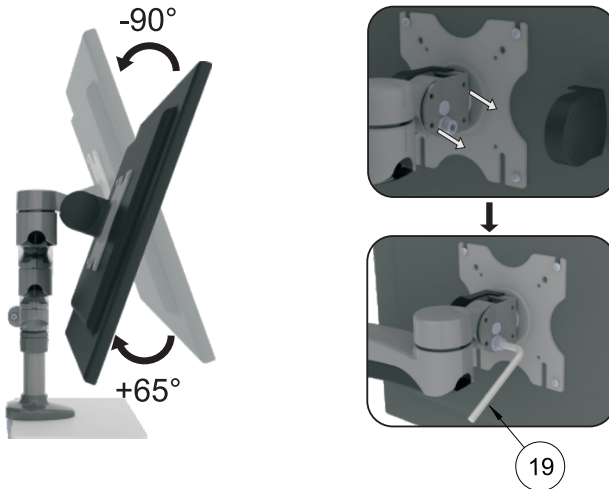
Screen Rotation.



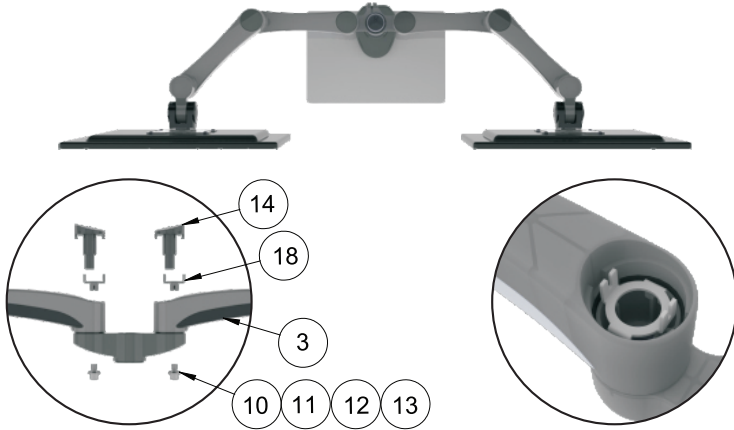
Swivel Adjustment.



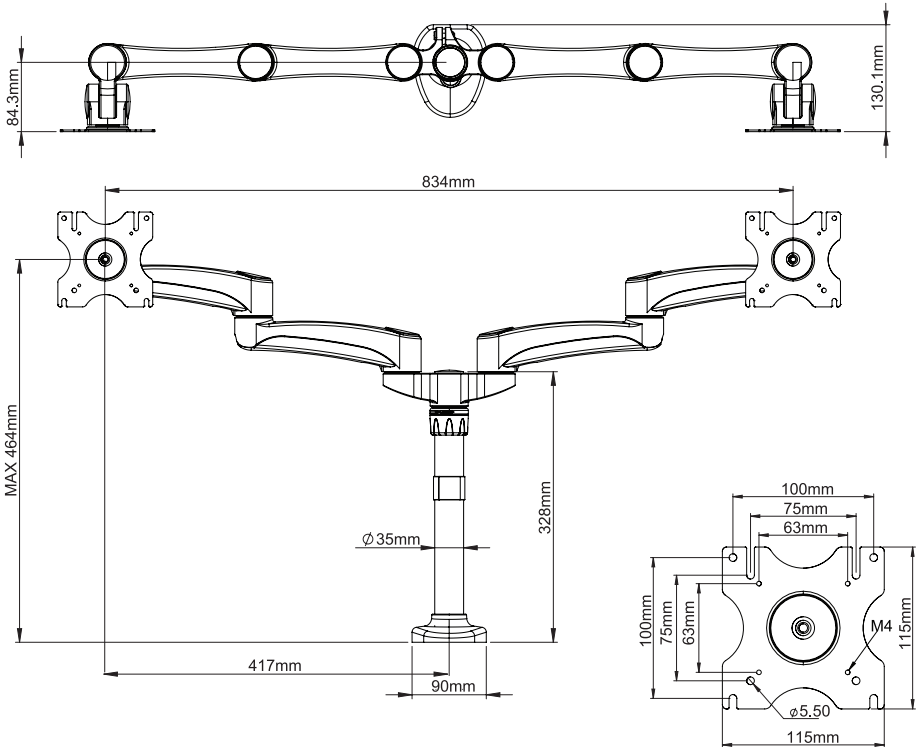
Tilt Adjustment.



Optional: Insert Stopper (Part 18) to lock the extension arm in place.



## BT7374 PRODUCT DIMENSIONS



THESE INSTRUCTIONS ARE INTENDED AS A GUIDE ONLY AND B-TECH ACCEPTS NO LIABILITY FOR THE ACCURACY OF THE INFORMATION CONTAINED IN THIS DOCUMENT.



[www.btechavmounts.com](http://www.btechavmounts.com)

## **B-TECH AUDIO VIDEO MOUNTS**

### **HEAD OFFICE**

#### **B-Tech International Limited**

Bennett House, Long March, Daventry, Northants., NN11 4NR, UK

Email: [info@btechavmounts.com](mailto:info@btechavmounts.com)

©2016 B-Tech International Limited. All rights reserved.

B-Tech Audio Video Mounts is a division of B-Tech International Limited.

B-Tech & Better By Design are registered trademarks of B-Tech International Limited.

All other brands and product names are trademarks of their respective owners.

Photographs are for illustrative purposes only. E&OE.