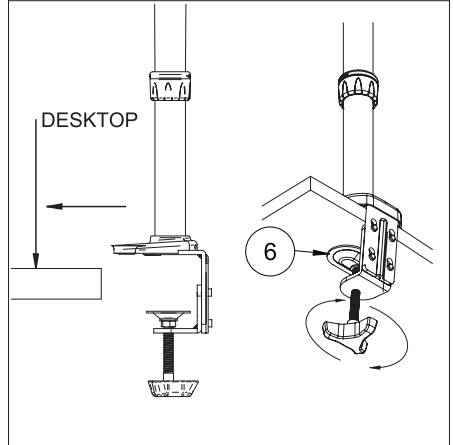
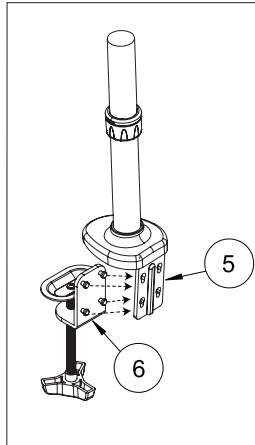
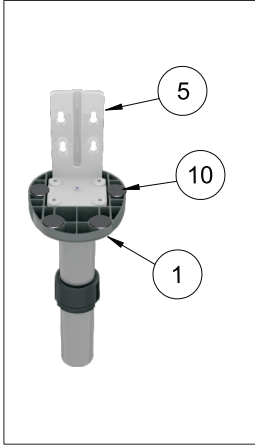


INSTALLATION INSTRUCTIONS

1 A

Desk Clamp

- i. Attach the foam pads (Parts 10) to the underside of the clamp base (Part 1).
- ii. Hook clamp plate (Part 6) onto clamp connection plate (Part 5).
- iii. Place desk clamp over desk and tighten the handwheel.

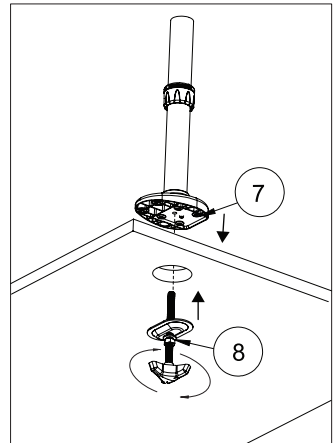
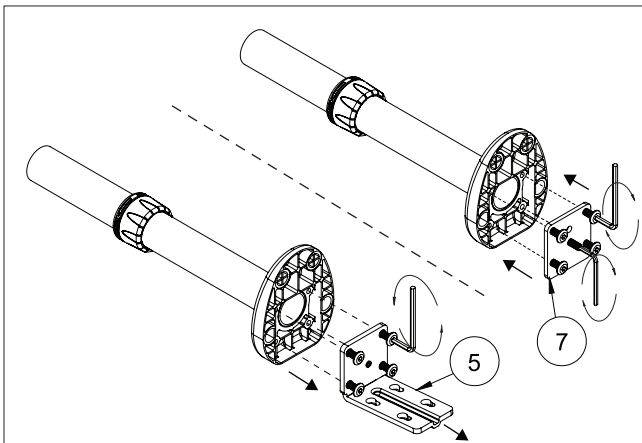


1 B

Grommet Clamp

Attach the foam pads (Parts 10) to the underside of the clamp base (see Step 1a i.)

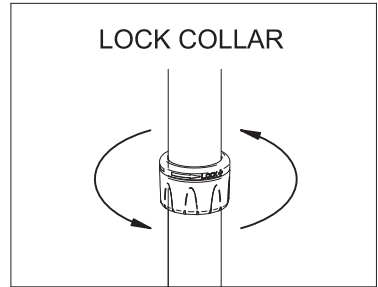
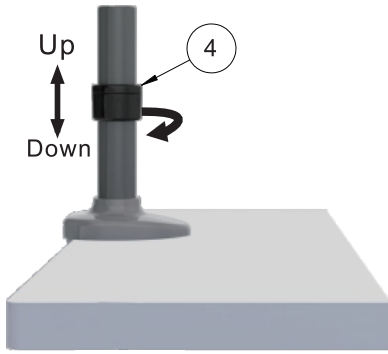
- i. Remove clamp connection plate (Part 5) from base
- ii. Attach grommet clamp plate (Part 7) onto base.
- iii. Tighten handwheel on grommet clamp (Part 8) connecting the clamp and pole to the desk.



2

Fixing the Height of Interface Arms on Pole

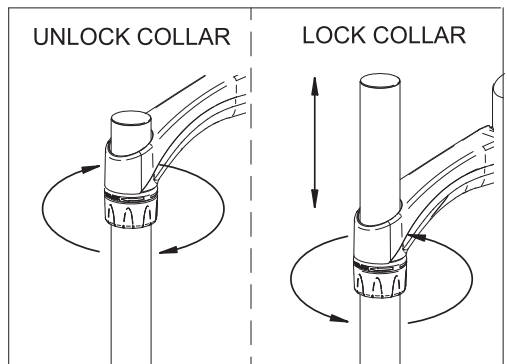
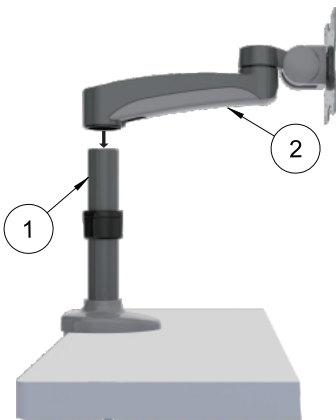
Loosen collar (Part 4) on pole (Part 1) and set height for interface arm (Part 2).



3

Mounting Interface Arm

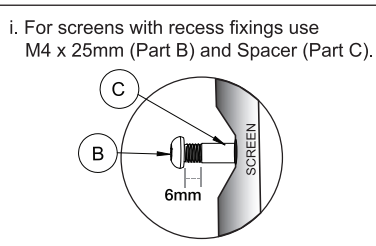
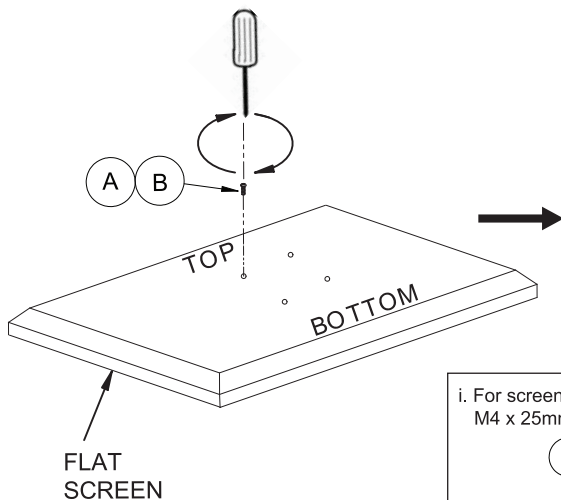
Connect interface arm (Part 2) to the pole (Part 1).



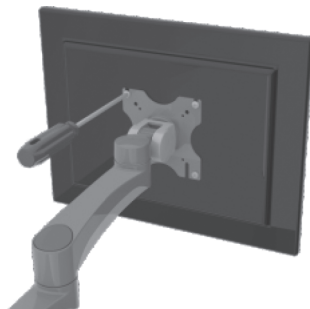
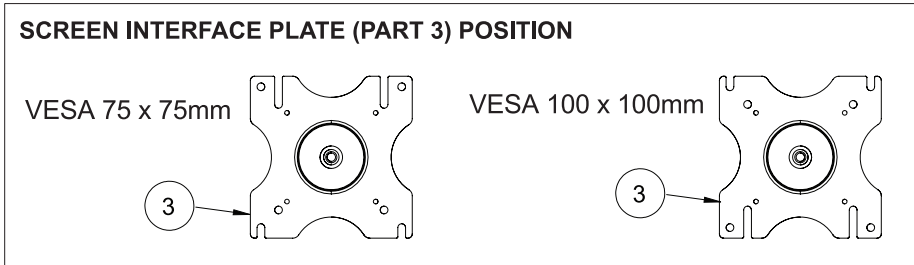
4

Mount Screen to Interface Plate

i. Insert half-way, 2 screws from the interface kit into the top fixing holes of the screen.

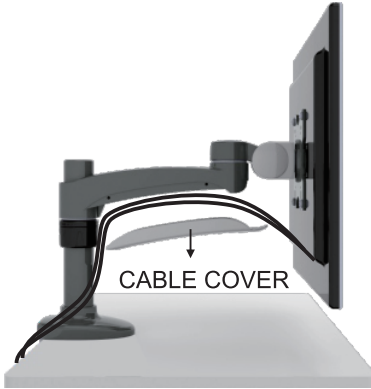



ii. Hook screen onto interface plate (Part 3), add bottom two screws and then tighten all screws.



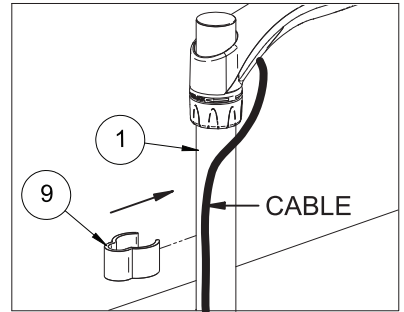
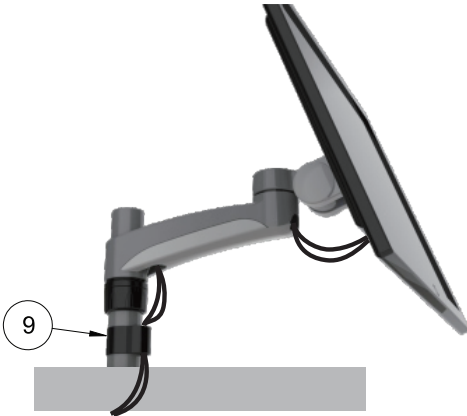
REPEAT STEP FOR OTHER FLAT SCREEN

- i. Remove cable cover from underneath the interface arm and insert cables before re-attaching the cover.



 **WARNING:**
Ensure the swivel arm
is fully extended before
connecting cables.

- ii. Use cable clip (Part 10) to attach cables to pole.

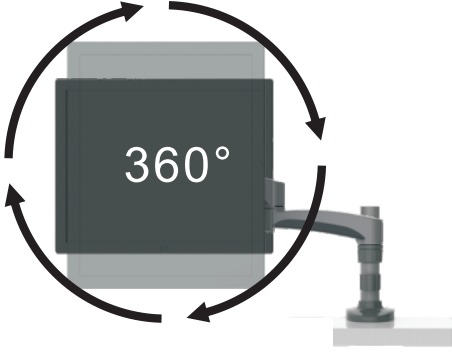


CAUTION: Ensure there is adequate cable slack for movement of the screen, and that cables will not be pinched when the mount is closed.

6

Adjusting the Resistance

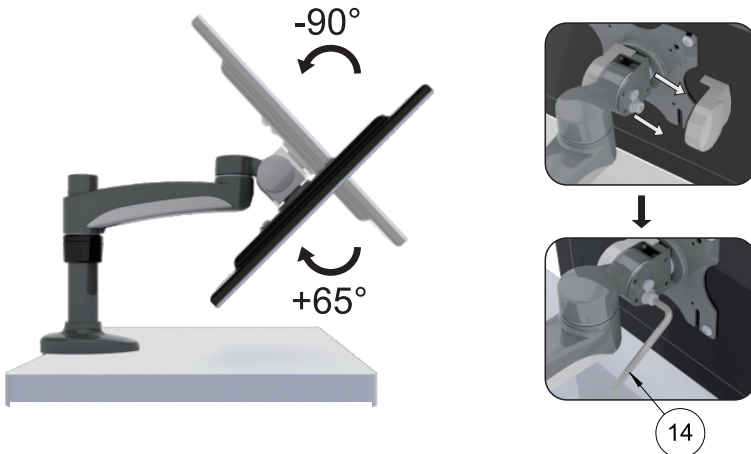
Screen Rotation.



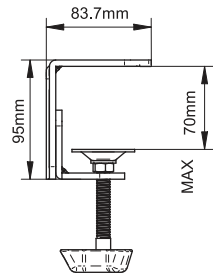
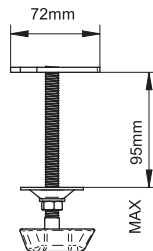
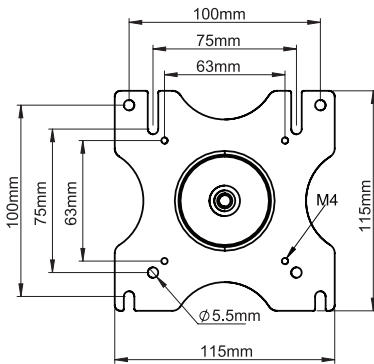
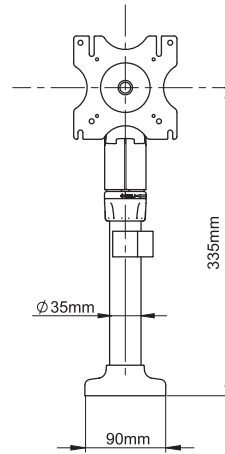
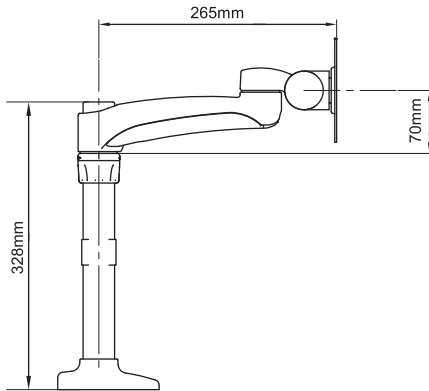
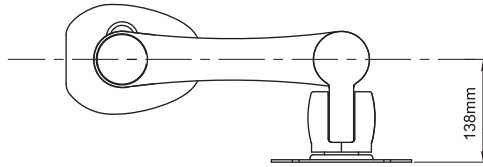
Swivel Adjustment.



Tilt Adjustment.



BT7372 PRODUCT DIMENSIONS



THESE INSTRUCTIONS ARE INTENDED AS A GUIDE ONLY AND B-TECH ACCEPTS NO LIABILITY FOR THE ACCURACY OF THE INFORMATION CONTAINED IN THIS DOCUMENT.



www.btechavmounts.com

B-TECH AUDIO VIDEO MOUNTS

HEAD OFFICE

B-Tech International Limited

Bennett House, Long March, Daventry, Northants., NN11 4NR, UK

Email: info@btechavmounts.com

©2016 B-Tech International Limited. All rights reserved.

B-Tech Audio Video Mounts is a division of B-Tech International Limited.

B-Tech & Better By Design are registered trademarks of B-Tech International Limited.

All other brands and product names are trademarks of their respective owners.

Photographs are for illustrative purposes only. E&OE.